



POWER
VALVE-CONTROLLED

PPGR (glass reinforced) Body

SIZES: 2-1/2" - 8" (DN65 to DN200)

SEALS: EPDM or Viton

DISC MATERIALS: PVC, CPVC, PP, PVDF

Features:

- Inventory minimized – Stocking one body (PPGR rated at 250°F)
- Compact design is ideal for flow control in tight spaces.
- Variable locking positions.
- One piece non-wetted 316 stainless steel shaft with engagement over the full length of the disc provides for easy opening and closing and helps prevent blowouts.
- Visual position indicator allows for easy viewing.
- CRN No.: 0C13843.5, 0C13843.56



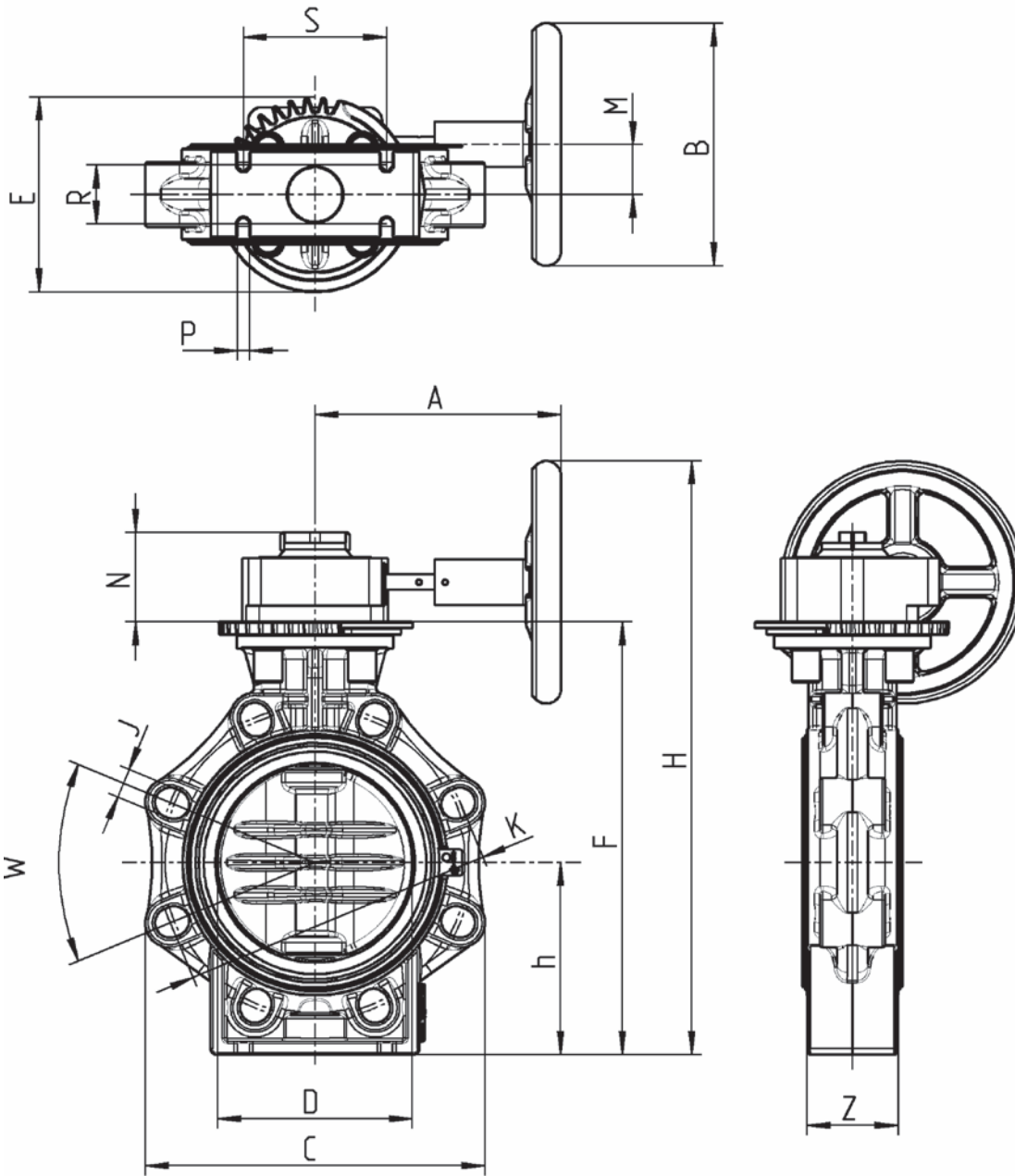
Sample Specifications:

- Praher quarter turn gear operators shall be made with IP67 (NEMA 4) enclosures made from 380 Aluminum and painted with corrosion protection EPOXY type paint.
- The internal gear train shall be of self-locking, high efficiency type design with needle thrust bearings and thrust washers used for the drive shaft.
- All gear operators shall be filled 50% grease filled for life.
- All gear operators shall have an output to input ratio of 40:1, with a maximum output of 1200 inch lbs. and shall be suitable for continuous operation from minus 40 to plus 175°F.
- All gear operators shall be supplied with Interchangeable out drive bushing with Nitrile O-Ring seal (Viton or EPDM shall be offered as an option).
- All gear operators shall be of 90 degrees turn with plus/minus five degrees adjustable integrated mechanical position stops on both ends.
- Visual position indicator shall show open and closed position and shall be divided by 10 degrees increments.
- All gear operators shall be equipped with Tempered 4140 steel worm shafts that are permanently sealed with a HYTREL 4556 oil seals.
- Operator hand wheel shall be attached to worm drive shaft by a removable split dowel pin and the hand wheel shall have permanent markings identifying the direction of rotation in relation to valve open-closing motion.
- Praher shall also offer 1/4 Turn gear operators made from 316 Stainless Steel for highly corrosive environments.

NOTE: For additional specifications, please refer to [K4 Butterfly Valve with Lever Handle data page](#).

Options & Accessories:

- Pneumatically or electrically actuated
- Stainless steel shaft extensions
- Stainless Steel lug inserts for dead end service
- Limit switches for open and/or closed position indication

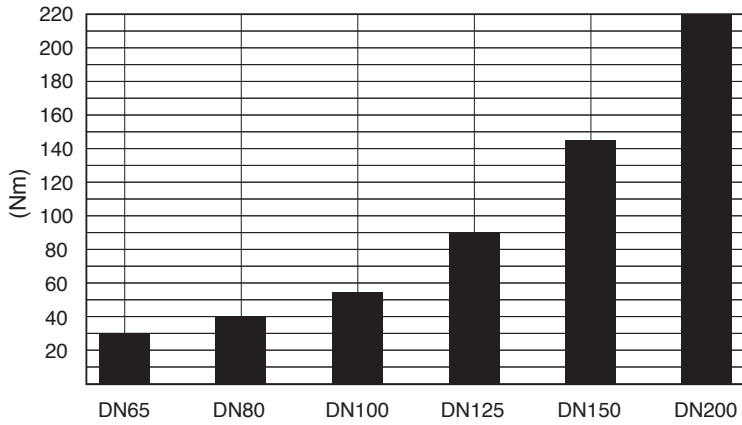


DIMENSIONS: INCHES																				
Size	DN Bore	d	G	W	J	K	D	C	Z	S	R	P	h	F	N	H	A	B	M	E
2-1/2"	65	75	2-1/2"	90°	0.75	5.00 - 5.71	2.56	5.24	1.81	2.17	0.98	0.28	3.94	9.13	1.99	12.80	6.57	4.92	1.52	4.49
3"	80	90	3"	45°	0.75	5.75 - 6.30	3.15	6.93	1.93	2.76	1.18	0.35	3.94	9.41	1.99	13.07	6.57	4.92	1.52	4.49
4"	100	110	4"	45°	0.75	6.89 - 7.50	3.94	8.11	2.20	3.35	1.38	0.35	4.53	10.59	1.99	14.25	6.57	4.92	1.52	4.49
5"	125	140	5"	45°	0.91	8.25 - 8.50	4.92	9.23	2.52	3.94	1.77	0.35	5.12	11.95	1.99	37.93	6.57	7.87	1.52	4.49
6"	150	160	6"	45°	0.91	9.23 - 9.50	5.91	10.28	2.76	4.33	1.77	0.35	5.81	13.11	1.99	18.25	6.57	7.87	1.52	5.91
8"	200	225	8"	45°	0.91	11.42 - 11.75	7.87	12.36	2.80	5.71	1.57	0.35	6.89	15.55	1.99	20.69	6.57	7.87	1.52	5.91

WEIGHTS: LBS. (EPDM SEAT)			
Size	PVC Disc	CPVC Disc	PP Disc
2-1/2"	7.00	6.92	6.99
3"	6.07	7.00	6.40
4"	8.96	7.35	8.96
5"	10.71	N/A	N/A
6"	13.75	N/A	13.42
8"	19.15	N/A	18.75

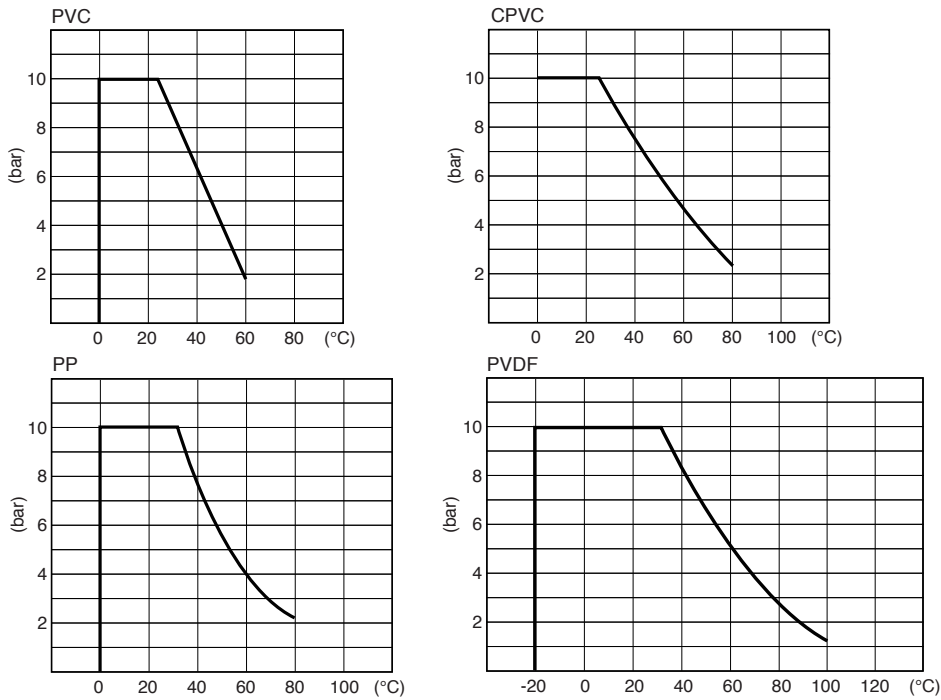
WEIGHTS: LBS. (VITON SEAT)				
Size	PVC Disc	CPVC Disc	PP Disc	PVDF Disc
2-1/2"	7.32	7.36	7.31	7.37
3"	6.98	7.87	7.79	6.98
4"	8.96	8.39	8.95	8.95
5"	11.13	N/A	10.96	11.30
6"	14.09	N/A	12.77	13.37
8"	17.53	N/A	18.83	17.53

Torque



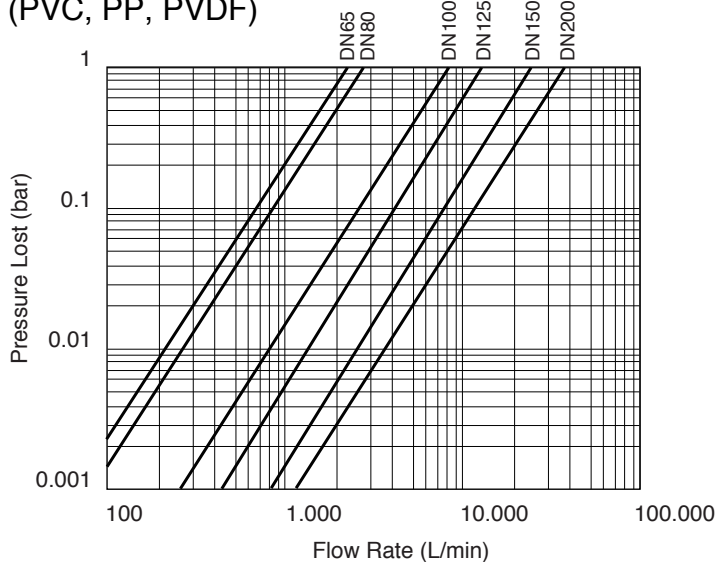
Size	Cv Value	Torque (Inch Lbs.)	Mounting Pad	Stem	Tightening torque of screws for flange connections (Inch Lbs.)
2-1/2"	160	261	F07	11 mm	130
3"	195	348	F07	11 mm	157
4"	571	479	F07	14 mm	174
5"	953	783	F07	14 mm	261
6"	1775	1262	F10	17 mm	348
8"	2645	1914	F10	17 mm	478

Pressure – Temperature

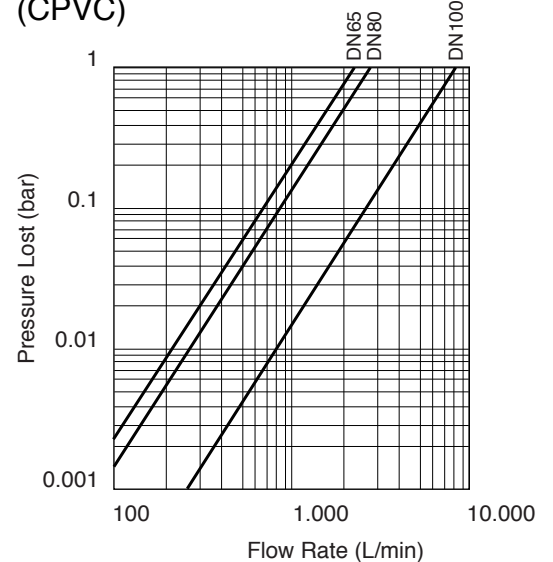


Temperature		WORKING PRESSURES (PSI)			
°C	°F	PVC	CPVC	PP	PVDF
0	32	145	145	145	145
20	68	145	145	145	145
40	104	90	109	113	119
60	140	27	68	57	72
80	176	—	32	31	41
100	220	—	—	—	17

Pressure loss (PVC, PP, PVDF)

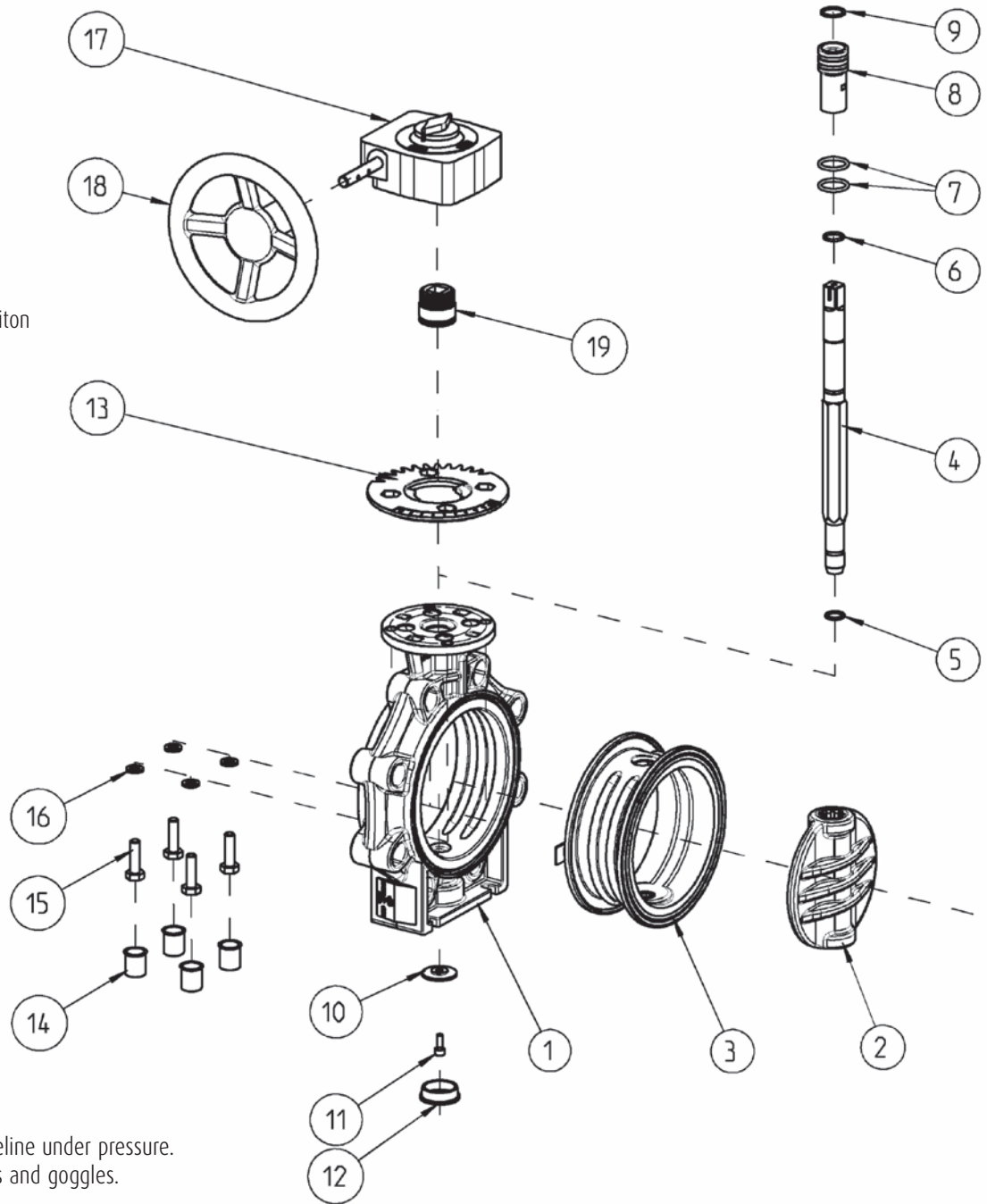


Pressure loss (CPVC)



Parts List/Diagram

1. Body
2. Disc PVC, CPVC, PP, PVDF
3. Elastomer seat. EPDM or Viton
4. SS Shaft
5. Shaft O-Ring bottom
6. Shaft O-Ring top
7. Shaft bushing seal
8. Shaft bushing
9. Retaining ring
10. Holding disc
11. Screw
12. Cap
13. Position lock plate
14. Plate caps
15. Plate screws
16. Plate nuts
17. Gear operator
18. Hand wheel
19. Drive bushing



CAUTION:

- Never remove valve from pipeline under pressure.
- Always wear protective gloves and goggles.

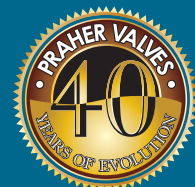
Praher Plastics reserves the right to change or remove products or services from its range at any time and without prior notification or obligation. Praher Plastics does not assume any liability for consequences resulting from the use of this document. This is no guarantee that the information provided here is complete, accurate or up to date.

Praher Plastics Canada Ltd.

Tel 705.725.1100
 Fax 705.725.0444
 101 Saunders Road
 Barrie, Ontario, Canada L4N 9A7

www.praherplastics.com

Distributed by:



ISO 9001-2000



Proudly Manufactured in
 North America and Austria

©Praher Plastics Canada Ltd. 2017
 09-07-17 Rev.3

Printed in Canada