





















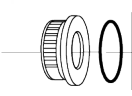

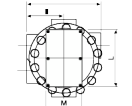




# 2025 CATALOGUE

Available online at [www.praherplastics.ca](http://www.praherplastics.ca)

UNIONS	4		SINGLE UNION CHECK VALVES	22	
BLOCKED SINGLE UNION BALL VALVES	8		SLIM-LINE CHECK VALVES	23	
DRAIN VALVES	9		DOUBLE UNION CLEAR SPRING CHECK VALVES	24	
COMPACT BALL VALVES	10		WAFER CHECK VALVES	25	
LAB COCK VALVES	10		SWING CHECK VALVES	26	
TRUE UNION BALL VALVES	11		KNIFE GATE VALVES	27	
3-WAY TRUE UNION BALL VALVES	13		UNIBODY GATE VALVES	29	
HIGH HEAT DIVERTER VALVES	14		INLINE SIGHT GLASS	30	
DIVERTER VALVES	16		MULTIPOINT BACKWASH VALVES	31	
FLAPPER CHECK VALVES	17		PIPE CLAMPS AND PIPE EXTENDERS	39	
DIAPHRAGM VALVES	18		INSERT FITTINGS	40	
BUTTERFLY VALVES FLANGE KITS	19		SPARE PARTS	41	
INLINE STRAINERS	20		TECHNICAL DATA	60	



## UNIONS

Size:	1/2" to 3"
Material:	Grade 1 PVC
O-Rings:	EPDM / NITRILE
Press. Rating	50PSI @70F
Design:	Schedule 40
	3" Schedule 80

**Not recommended for use on pumps, heaters, or heat exchangers.**

SIZE	MODEL #	DESCRIPTION	QTY. PER CRTN.
1/2"	050-100	SKT X SKT	40
3/4"	075-100	SKT X SKT	40
1"	100-100	SKT X SKT	40
1 1/2"	150-100	SKT X SKT	50
1 1/2" – 2"	150-201	1 1/2" SKT X 2" SKT	50
2"	200-100	SKT X SKT	50
2.5"	250-100	SKT X SKT	25
3"	300-100	SKT X SKT	4

SIZE	MODEL #	DESCRIPTION	QTY. PER CRTN.
1 1/2"	150-300	FIP/FIP	50
2"	200-300	FIP/FIP	50
3"	300-300	FIP/FIP	4

SIZE	MODEL #	DESCRIPTION	QTY. PER CRTN.
1 1/2"	150-904	MIP X DUAL HOSE BARB C/W O-RING	50

SIZE	MODEL #	DESCRIPTION	QTY. PER CRTN.
1 1/2"	150-903	MIP X SKT C/W O-RING	50
2"	200-903	MIP X SKT C/W O-RING	50
2"	200-993	MIP X 2' SKT 90 DEGREE C/W O-RING	25
3"	300-900	DISCONTINUED: See high heat unions	4
1 1/2" x 2"	200-90015	1 1/2" MIP X 2" SKT C/W O-RING	25

SIZE	MODEL #	DESCRIPTION	QTY. PER CRTN.
1 1/2"	150-600	MIP X MIP	50

SIZE	MODEL #	DESCRIPTION	QTY. PER CRTN.
1 1/2"	150-805	MIP X FIP	50



250-100



200-300



150-904



150-903



150-600



150-805



## UNIONS

Size:	1/2" to 3"
Material:	Grade 1 PVC
O-Rings:	EPDM / NITRILE
Press. Rating	50 PSI
Design:	Schedule 40
	3" Schedule 80

Not recommended for use on pumps, heaters, or heat exchangers.

SIZE	MODEL #	DESCRIPTION	QTY. PER CRTN.
1 1/2"	150-800	FIP X SKT	50
2"	200-800	FIP X SKT	50

SIZE	MODEL #	DESCRIPTION	QTY. PER CRTN.
2" – 1 1/2"	200-950	2" MIP C/W O-RING X 1 1/2" SKT	50



200-950



## HIGH HEAT PUMP UNIONS

Size:	3/4" to 3"
Material:	High temp. polymer
O-Rings:	EPDM / NITRILE
Press. Rating	50 PSI
Max working temp.	176 F @50 PSI



U.S. Patent No. 11 143 339

**Patented Design**  
U.S. Pat D594938



200-996



215-906



216-906



200-9061



150-906



200-906



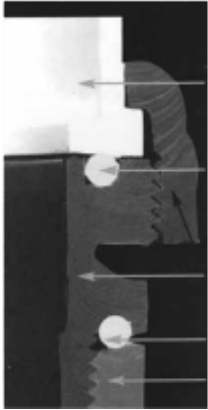
225-9061

SIZE	MODEL #	DESCRIPTION	QTY. PER CRTN.
3/4"	075-906	MIP X SKT C/W O-RING, HEAT RESISTANT	25
1"	100-906	MIP X SKT C/W O-RING, HEAT RESISTANT	25
1 1/2"	150-906	MIP X SKT C/W O-RING, HEAT RESISTANT	50
2"	200-906	MIP X SKT C/W O-RING, HEAT RESISTANT	50
2" – 1 1/2"	215-906	2" SOCKET X 1.5" MIP, HEAT RESISTANT	50
1 1/2" – 2"	216-906	1 1/2" MIP X 2"SKT C/W O-RING HR	50
2" – 2"	200-996	2" MIP X 2"SKT- 90° C/W O-RING HR	25
2"	200-9061	MIP X SKT C/W O-RING, HEAT R. LONG NECK	20
2" – 2.5"	225-9061	2" MIP SKT C/W O-RING, HEAT R. LONG NECK	20
3"	300-906	3" MIP SKT C/W O-RING, HEAT R. LONG NECK	4



## HIGH HEAT PUMP UNIONS

**NO MORE:  
CRACKED THREADS, LEAKS OR THREAD SEALANTS REQUIRED**



GRADE 1 PVC SOCKET  
(USE STANDARD CEMENT)

HIGH TEMPERATURE  
O-RINGS (EPDM)

HIGHTEMPERATURE  
(220 F HEAT DEFLECTION)  
Polymer NUT AND BODY

100% COMPRESSION SEAL

NO STRESS ON MATING PART



IDEAL PUMP UNION DISCONNECTS

ALL MODELS PATENT PENDING

**MAXIMUM SERVICE SPECIFICATIONS 80°C/176°F @ 3.5 BAR/50PSI**

### FEATURES

- Designed to install into pump volute and suction connection to prevent the failure of high temperature builds up in pump volutes when dry running pumps build up severe heat.
- Eliminates stressing outer thread of mating parts due to overtightening and possible consequent cracking.
- Eliminates the requirement of thread sealants while providing a reliable seal on the O-ring surface (high temp. EPDM).
- Provides easy installation while supplying a union connection for future servicing needs



## SINGLE UNION BALL VALVES

Size:	1 1/2" & 2"
PVC White	
Material:	Grade 1 PVC
O-Rings:	EPDM / NITRILE
Ball Seats:	Polyethylene
Pressure Rating:	150 PSI
Schedule:	80 bore

Also available in metric

Praher's unique pinned true single union ball valve design provides for:

- User friendly handle operation – union nut load does not transfer onto ball seat, thereby providing user with easy handle operation even if valve not operated for a long period of time.
- “Below grade – blocked seat flooded suction design” – valve seat will not blow out from static pressure if union nut removed (with pump off).

**Spare pin serves as a tool for valve servicing/repair**  
(remove from handle to assist in pin removal when servicing valve seat)



150-010



150-015

150-HB-MAXI

200-016

### “BLOCKED” SINGLE UNION BALL VALVE

Allows disconnection of lines without fear of retainer-ring or ball moving. Retainer-ring is locked with two pins in the body.

SIZE	MODEL #	DESCRIPTION	QTY. /CRTN.
1 1/2"	150-0100	S.U. BL. B.V. SKT/SKT	100
1 1/2"	150-010	S.U. BL. B.V. SKT/SKT NSF 50 approved	25
1 1/2"	150-011	S.U. BL. B.V. SKT/FIP	25
1 1/2"	150-015	S.U. BL. B.V. MIP/FIP NSF 50 approved	30
1 1/2"	150-052	S.U. B.L. B.V. SKT/MIP	18
1 1/2"	150-016	S.U. BL. B.V. MIP/SKT NSF 50 approved	25
1 1/2"	150-HB MAXI	S.U. BL. B.V. MIP/DUAL HOSE - FULL SIZE	20
1 1/2"	150-0155	S.U. BL. B.V. MIP X MIP	20
1 1/2"	150-111	SU BL. B.V. FIP/FIP NSF 50 approved	25
2"	200-0100	S.U. B.L. B.V. SKT/SKT	102
2"	200-010	S.U. BL. B.V. SKT/SKT NSF 50 approved	17
2"	200-011	S.U. BL. B.V. SKT/FIP	17
2"	200-111	S.U. BL.B.V. FIP/FIP NSF 50 approved	17
2"	200-016	S.U. BL. B.V. MIP/SKT	17

NOTE: VISIT [www.nsf.org](http://www.nsf.org) FOR UPDATED LISTINGS



## SINGLE UNION BALL VALVES

Size:	1/2" - 1"
Material:	Grade 1 PVC
Colour:	Grey or White
O-Rings:	EPDM
Ball Seats:	Polyethylene
Pressure Rating:	200 PSI
Schedule:	80 bore



Praher's unique spanner wrench handle provides for easy valve seat servicing - just pull handle off ball stem & use as a tool (see picture). Praher's unique threaded true single union ball valve design provides for:

- User friendly handle operation – union nut load does not transfer onto ball seat, thereby providing user with easy handle operation even if valve not operated for a long period of time.
- Below grade – blocked seat flooded suction design – valve seat will not blow out from static pressure if union nut removed.

### FEATURE:

- Handle can be used as tool to adjust threaded seal carrier.

NOTE: VISIT [www.nsf.org](http://www.nsf.org) FOR UPDATED LISTINGS

GREY

GREY

SIZE	SKT x SK	MODEL #	FIP x FIP	MODEL#	QTY. PER CRTN.
1/2"		050-000		050-111	30
3/4"		075-000		075-111	30
1"		100-000		100-111	30

WHITE

WHITE

SIZE	SKT x SKT	MODEL #	FIP x FIP	MODEL#	QTY. PER CRTN.
1/2"		050-000W		050-111W	30
3/4"		075-000W		075-111W	30
1"		100-000W		100-111W	30

NOTE: PLEASE ORDER BY MODEL # ONLY

## DRAIN VALVES

Size:	3/4"
Material:	Polypropylene
O-RINGS:	EPDM DV010

DV010



DV020



SIZE	MODEL #	DESCRIPTION	QTY. PER CRTN.
1/2"	050-DV010	1/2" PP DRAIN VALVE MIP x 3/4" GARDEN HOSE	100
3/4"	075-DV010	MIP X "GARDENA" MALE DISCONNECT	100
3/4"	075-DV020	MIP X GARDEN HOSE BIB	100
3/4"	075DV011	MIP X MIP	100

NOTE: VISIT [www.nsf.org](http://www.nsf.org) FOR UPDATED LISTINGS



## LABORATORY BALL COCK VALVES

Size:	1/4"-sch80, astm-d2464
Material:	PVC or PVDF
O-Rings:	EPDM or VITON
Ball Seats:	PTFE
Ends:	Male threaded x female threaded with one MPT x hose fitting

Ideal for instrumentation lines, chlorine feeder drain and general laboratory use.

SIZE	MODEL #	DESCRIPTION	QTY. PER CRTN.
1/4"	LC-PV	PVC/EPDM/ -MIP X FIP WITH OUT FTG	10
1/4"	LC-PV-1	PVC/EPDM/ -MIP X FIP WITH HOSE FTG	10
1/4"	LC-PV-2	PVC/VITON/ -MIP X FIP WITH HOSE FTG	10
1/4"	LC-VDF-2	PVDF/VITON/ -MIP X FIP WITH HOSE FTG	10



## COMPACT BALL VALVES

Size:	1/2" - 2 1/2" socket x 2" spigot 2" socket x 2 1/2" spigot, 2.5"
Material:	NSF 61 PVC
O-Rings:	BUNA-N
Seals:	HDPE
Press Rating:	150 PSI
Design:	SCH 40, Socket
Vacuum Rating:	29.9" Mercury



200-ESPSP spigot x spigot

SLIP SOCKET PORTS			
SIZE	MODEL #	DESCRIPTION	QTY. PER CRTN.
1/2"	050-ES00	SLIP PORTS NSF 50 approved	25
3/4"	075-ES00	SLIP PORTS NSF 50 approved	25
1"	100-ES00	SLIP PORTS NSF 50 approved	25
1 1/2"	150-ES00	SLIP PORTS NSF 50 approved	30
2"	200-ES00	SLIP PORTS NSF 50 approved	20
2.5"	250-ES00	SLIP PORTS	4
4"	400-ES00	SLIP PORTS	1

FEMALE THREADED ENDS			
SIZE	MODEL #	DESCRIPTION	QTY. PER CRTN.
1/2"	050-ES00T	FIP ENDS NSF 50 approved	25
3/4"	075-ES00T	FIP ENDS NSF 50 approved	25
1"	100-ES00T	FIP ENDS NSF 50 approved	25
1 1/2"	150-ES00T	FIP ENDS NSF 50 approved	30
2"	200-ES00T	FIP ENDS	20
4"	400-ES00T	FIP ENDS	1

SPIGOT ENDS			
SIZE	MODEL #	DESCRIPTION	QTY. PER CRTN.
2"	200-ESPSP	SPIGOT ENDS	20

NOTE: VISIT [www.nsf.org](http://www.nsf.org) FOR UPDATED LISTINGS

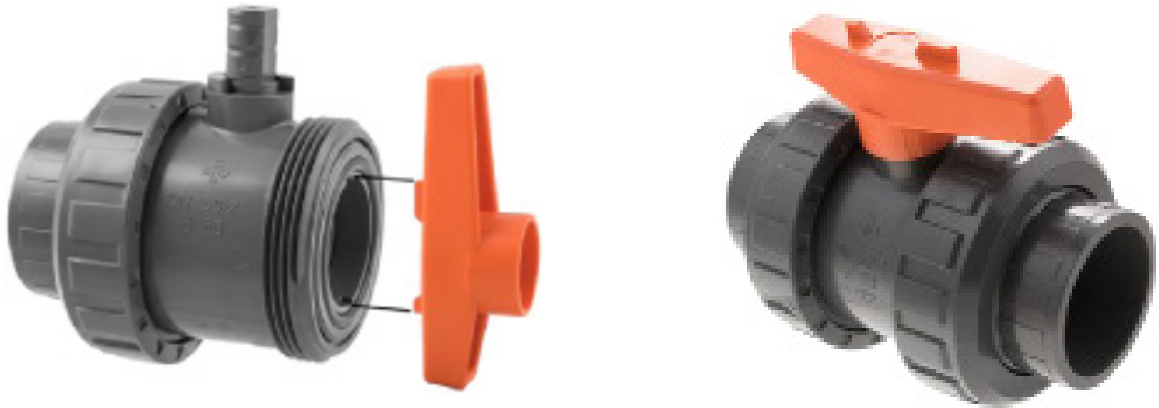




## TRUE UNION BALL VALVES

### S6 SERIES

Size:	1/2" to 4"
Material:	Grade 1 PVC
O-Rings:	EPDM
Ball Seats:	Polyethylene
Pressure Rating:	1/2" – 2" 232 PSI @ 73F 2.5" – 4" 150 PSI @ 73
Adjustable Ball seat pressure (Safe Block)	



### FEATURE:

- Handle can be used as tool to adjust threaded seal carrier.

### WATER APPLICATION

	SKT x SKT	FIP x FIP	
SIZE	MODEL #	MODEL #	QTY. PER CRTN.
1/2"	BV6-0501PES	BV6-0501PET	50
3/4"	BV6-0751PES	BV6-0751PET	50
1"	BV6-1001PES	BV6-1001PET	40
1 1/4"	BV6-1251PES	BV6-1251PET	10
1 1/2"	BV6-1501PES	BV6-1501PET	20
2"	BV6-2001PES	BV6-2001PET	10
2 1/2"	BV6-2501PES	BV6-2501PET	4
3"	BV6-3001PES	BV6-3001PET	4
*4"	BV6-4001PES	N/A	4

\* 3" valve with 4" molded sockets



## TRUE UNION BALL VALVES

### S6 SERIES

Size:	1/2" to 3"
Material:	Grade 1 PVC
O-Rings:	EPDM
Ball Seats:	PTFE
Pressure Rating:	1/2" – 2" 232 PSI @ 73F 2.5" – 3" 150 PSI @ 73
Adjustable Ball seat pressure (Safe Block)	



### FEATURE:

- Handle can be used as tool to adjust threaded seal carrier

SIZE	SKT x SKT MODEL #	QTY. PER CRTN.
3/8"	BV6-0381TES	20
1/2"	BV6-0501TES	20
3/4"	BV6-0751TES	20
1"	BV6-1001TES	15
1 1/4"	BV6-1251TES	15
1 1/2"	BV6-1501TES	15
2"	BV6-2001TES	10
2 1/2"	12-9009	4
3"	12-9351	1



## 3-WAY TRUE UNION BALL VALVES

Material:	Grade 1 PVC/PP/PVDF
O-Rings:	EPDM
Ball Seats:	Teflon
Pressure Rating:	232 PSI -1/2" - 1" 150 PSI -1 1/2"-2"
Design:	Schedule 80



### FEATURES:

- Handle with locking and positive indexing feature.
- Retainer ring removal/adjusting tool moulded into handle.
- Adjustable seat pressure.
- Available with 'T' or 'L' ball configuration.
- Available with electric actuators.
- Also available with Viton O-Rings.
- True union safe block style.

### PVC-3-WAY TRUE UNION S4 BALL VALVES SOCKET STYLE-ASTM, EPDM O-RINGS, TEFLON BALL SEATS

SIZE	MODEL #		QTY. PER CRTN.	WEIGHT/LBS
	T-BALL	L-BALL		
3/8"	12-0629	12-0630	15	
1/2"	12-0631	12-0633	15	0.7
3/4"	12-2995	12-2996	15	1.45
1"	12-2195	12-1897	15	1.54
1 1/4"	12-2997	12-2998	5	2.64
1 1/2"	12-2752	12-2753	5	3.74
2"	12-2754	12-2755	4	3.96



## DIVERTER VALVES

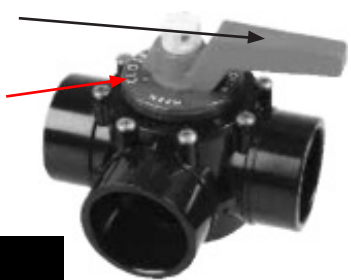
Size:	1 1/2" - 2" - 2 1/2" spigot
Material:	CPVC body black, Glass filled Noryl rotor, ABS handle, NSF 61
O-Rings:	NITRILE
Rotor Seal:	High temperature silicone gasket with Teflon jacket
Pressure Rating:	50 PSI
Positive seal back pressure:	15 PSI
Vacuum Rating:	29" Mercury

### FEATURES:

- High heat lid that will not warp in the sun
- Proportional mixing availability.
- Double O-ring shaft seal.
- Permanently lubricated rotor seal with extreme wear resistance, exceeds 3000 dry cycle requirements.
- Chlorine, acid, and ozone resistant construction.
- OV2-2010
- Handle-locking knob provides eyelet for lock attachment.
- Engineered "PLAST-TITE" screws (18.8 stainless) will not crack plastic when servicing valve.
- Universal shaft spline pattern adapts to most actuators.
- All wetted materials are of NSF-50 or 61 designations.
- **Patented design US 6497250**

PRIVATE LOGO AVAILABLE  
(size: 7/16" 1 3/4")

FIRST GLANCE TWO COLOUR  
FLOW INDICATOR MARKINGS  
"OPEN-CLOSED-FLOW DIRECTIONS"



OV2-2010

### CPVC BODY

NOTE: VISIT [www.nsf.org](http://www.nsf.org) FOR UPDATED LISTINGS

SIZE	MODEL #	DESCRIPTION	QTY. PER CRTN.
1 1/2" - 2"	OV2-1500	2-Way Diverter Valve, Slip (1.5" ID, 2" OD) NSF 50 approved	12
1 1/2" - 2"	OV2-1590	90° 2-Way Diverter Valve, Slip (1.5" ID, 2" OD)	12
1 1/2" - 2"	OV3-1500	3-Way Diverter Valve, Slip (1.5" ID, 2" OD) NSF 50 approved	12
1 1/2"	OV3-1503	3-Way Diverter Valve, FPT NSF 50 approved	12
		Models below NSF 50 approved:	
2" - 2 1/2"	OV2-2000	2-Way Diverter Valve, Slip, C/W 1.5" Reducer Bushings (2" ID, 2.5"	12
2" - 2 1/2"	OV2-2010	2-Way Diverter Valve, Slip (2" ID, 2.5" OD)	12
2" - 2 1/2"	OV2-2090	90° 2-Way Diverter Valve, Slip (2" ID, 2.5" OD)	12
2" - 2 1/2"	OV3-2000	3-Way Diverter Valve, Slip, C/W 1.5" Reducer Bushings (2" ID, 2.5"D)	12
2" - 2 1/2"	OV3-2010	3-Way Diverter Valve, Slip (2" ID, 2.5" OD) NSF 50 approved	12

### NEW\*

SIZE	MODEL #	DESCRIPTION	QTY. PER CRTN.
1 1/2"	OV3-1500-NP	3-Way Diverter Valve, Slip, Solar By-Pass	12
2" - 2 1/2"	OV3-2010-NP	3-Way Diverter Valve, Slip, Solar By-Pass (2" ID, 2.5" OD)	12



## DIVERTER VALVES C/W UNIONS

Size:	1 1/2" - 2"
Material:	CPVC body black, Glass filled Noryl rotor, ABS handle, NSF 61
O-Rings:	NITRILE
Rotor Seal:	High temperature silicone gasket with Teflon jacket
Pressure Rating:	50 PSI
Positive seal back pressure:	15 PSI
Vacuum Rating:	29" Mercury

### CPVC BODY



OV2-2010U



OV3-2010U

NOTE: VISIT [www.nsf.org](http://www.nsf.org) FOR UPDATED LISTINGS

SIZE	MODEL #	DESCRIPTION	QTY. PER CRTN.
1 1/2"	OV2-1500U	2-Way Diverter Valve, Slip, C/W Unions	12
1 1/2"	OV2-1590U	90° 2-Way Diverter Valve, Slip, C/W Unions	12
1 1/2"	OV2-1593U	90° 2-Way Diverter Valve, FPT, C/W Unions	12
1 1/2"	OV3-1500U	3-Way Diverter Valve, Slip, C/W Unions NSF 50 aprvd	12
1 1/2"	OV3-1503U	3-Way Diverter Valve, FPT, C/W Unions	12
1 1/2"	OV3-15FFMU	3-Way Diverter Valve, FPT x FPT x MPT, C/W Unions	10
1 1/2"	OV3-15SSMU	3-Way Diverter Valve, Slip x Slip x MPT, C/W Unions NSF 50 aprvd	10
2"	OV2-2010U	2-Way Diverter Valve, Slip, C/W Unions	12
2"	OV2-2090U	90° 2-Way Diverter Valve, slip, C/W Unions	12
2"	OV2-2093U	90° 2-Way Diverter Valve, FPT, C/W Unions	12
2"	OV3-2010U	3-Way Diverter Valve, Slip, C/W Unions NSF 50 approved	10
2"	OV3-20SSMU	3-Way Diverter Valve, Slip x Slip x MPT, C/W Unions	8

## VARIABLE FLOW VALVES

### FEATURES:

- 2 port, 2" socket design, same construction as OV3 series
- Indicator on lid and handle
- New flow control handle for easy flow adjustment
- Handle is in line with pipe if fully open
- Auxiliary side port (1/2"socket): field installation of pressure gauge etc.
- Valve is supplied with 1/2"spigot x 1/4"FNPT bushing



VF2-2010

SIZE	MODEL #	DESCRIPTION	QTY. PER CRTN.
2"	VF2-2010	2"-2 PORT WITH FLOW INDICATOR HANDLE	12



## 3 WAY DIVERTER VALVES

Size:	2.5" socket - 3"spigot
Material:	Body, cover, nut, NSF approved PVC-grey
Rotor:	Glass reinforced Polyphenylene oxide
O-Rings:	EPDM
Rotor seal:	Low friction ethylene elastomer
Rotor load bearings:	Low friction polyoxymethylene
Pressure rating:	50 PSI with full seal back pressure rating
Vacuum rating:	29" inch mercury Burst pressure: 500 PSI
Flow rating:	400 GPM @ 4.4 PSI head loss



### FEATURES:

- Easy read valve position indicator
- Low friction elastomeric seal with full vacuum rating
- High strength diverter with precision machined load bearings
- Easy valve servicing with spin off union nut—no special tools required
- Double shaft seal O-rings
- Patented rotor seal de-energizing chamber for “off service position”
- Patented internal “ANTI SEAL PINCH” design
- Electric Actuator package 24VAC or 110VAC - (600” pounds torque, amps drawn for 24VAC = 2.6, 110VAC = 1.0)
- Easy actuator retrofitting
- Multiple (4) indexing positions for common port selection
- Made in North America (Canada)



## THE BIG KAHUNA

SIZE	MODEL #	DESCRIPTION	QTY. PER CRTN.
3"	OV3-3000	3 SPGT PVC DIVERTER VALVE	1
3"	OV3-3024	3-PORT PVC DIVERTER VALVE 2½" SKT x 3" SPG w/ 12-24 VAC/DC ACTUATOR	1
3"	OV3-3110	3-PORT PVC DIVERTER VALVE 2½" SKT x 3" SPG w/ 85-240 VAC/DC ACTUATOR	1
	J-485S	ELECTRIC ACTUATOR 24-240 VAC/VDC	1



## FLAPPER CHECK VALVES

Size:	1 1/2" - 2 1/2"
Material:	CPVC body, clear lid, NSF/ANSI 61
O-Rings:	EPDM
Flapper Seal:	Viton
Pressure Rating:	50 PSI
Hardware:	Corrosion proof pin and stainless-steel spring (3/4 lbs)

### FEATURES:

- CPVC body for most demanding applications
- Clear lid for easy inspection and access
- Reversible flow
- Flow indication arrow on lid
- Unique seal technology
- All wetted materials are of NSF/ANSI 61 designation
- 1 PSI head loss at 88 GP
- Cracked open pressure .5 PSI



FCV-2010



FCV-2010U

SIZE	MODEL #	DESCRIPTION	QTY. PER CRTN.
1 1/2" - 2"	FCV-1510	CPVC / EPDM STRAIGHT CHECK VALVE, SKT X SKT	12
1 1/2" - 2"	FCV-1510U	FCV-1510 UNIONIZED	12
1 1/2" - 2"	FCV-1590	CPVC / EPDM 90° CHECK VALVE, SKT X SKT	12
2" - 2 1/2"	FCV-2010	CPVC / EPDM STRAIGHT CHECK VALVE, SKT X SKT	12
2" - 2 1/2"	FCV-2010U	FCV-2010 UNIONIZED	12
2" - 2 1/2"	FCV-2090	CPVC / EPDM 90° CHECK VALVE, SKT X SKT	12



## DIAPHRAGM VALVES

Size:	1/2" to 2"
Material:	PVC
Diaphragm:	EPDM/Viton/Teflon
Operator:	Hand wheel with position and wheel lock
Style:	True union/PVC-socket end ASTM
	Metric butt fusion spigots for PP & PVDF



	PVC/EPDM/UNION	PVC/VITON/UNION	PVC/TEFLON*/UNION
SIZE	MODEL #	MODEL #	MODEL #
1/2"	122-905	122-911	122-926
3/4"	122-906	122-912	122-927
1"	122-907	122-913	122-928
1 1/4"	122-908	122-914	122-929
1 1/2"	122-909	122-915	122-930
2"	122-910	122-916	122-931

Consult Praher for actuation package

Size:	1/2" to 5"
Material:	PVC
Diaphragm:	EPDM
Operator:	Hand wheel with position indicator and wheel lock
Style:	Flanged



### PVC DIAPHRAGM VALVES - FLANGED ENDS

	EPDM	TEFLON*
SIZE	MODEL #	MODEL #
1/2"	126-230	126-941
3/4"	126-231	126-942
1"	124-336	126-493
1-1/4"	124-337	128-889
1-1/2"	124-338	126-940
2"	126-236	128-354
2-1/2"	124-340	126-234
3"	120-200	120-228
4"	120-898	120-896
5"	120-899	120-897

Consult Praher for actuation package





# BUTTERFLY VALVES



**K4 Series**

Valve Sizes:	3" to 10"
Valve Materials:	PVC, PP, PVDF
Seals and O-Rings:	EPDM/VITON
Pressure Rating:	150 PSI at 70°F

**FEATURES:**

- Excellent flow rates
- Full liner with integrated material ID and position lock (liner will not pinch during disc seating)
- Full bolt circle - light weight body (40% lighter than PVC)
- Glass filled Polypropylene body (service temperature of 250°F)
- 316 Stainless steel hexagon shaft-non wetted.
- Extremely low stress distribution from shaft to disc due to hexagon shaft design
- Double O-ring shaft seals with PVDF non wearing shaft bearing
- Integrated ISO actuator mounting pad (mounting bolts included)
- Integrated valve mounting pad at bottom of valve for supporting piping system
- Multiple valve position locks for fine flow control - resists high torque loads
- Lockable rugged plastic (PPGF) handle with removable colour coded ID plate
- Service friendly - liner can be changed in minutes without special tools
- Fits ANSI 150lbs and ISO metric flanges • pressure rating - 150PSI-all sizes

PVC HAND LEVER OPERATED		
	EPDM Seats	VITON Seats
SIZE	MODEL #	MODEL #
3"	125-861	125-866
4"	125-862	125-867
6"	125-863	125-868
8"	125-864	125-869
10"	240-507	240-527

PVC "VAN STONE" STYLE FLANGE KITS FOR PRAHER BUTTERFLY VALVES (INCLUDING HARDWARE)	
PIPE SIZE	MODEL #
3"	FK4-300
4"	FK4-400
6"	FK4-600
8"	FK-800

Grade 5 steel bolt zinc plated with hex nut and two flat washers  
 Recommended Torque rating for flanges: 3 - 4" 25ft. lbs., 6 - 8" 40ft.lbs





## TRUE UNION INLINE STRAINERS

Size:	3/8" - 3"	
Ends:	Socket	
O-Rings:	EPDM	
Body:	PVC transparent	
Screen:	Natural polypropylene	1800 micron - coarse
	STAINLESS STEEL	1000, 750 micron - medium
	STAINLESS STEEL	500 micron - fine



**S4 Series**

NOTE: 500 MICRON = 36 MESH SIZE  
750 MICRON = 26 MESH SIZE

NOTE: ALSO AVAILABLE IN POLYPROPYLENE

### 1800 MICRON- PVC-EPDM-SOCKET-PP MESH

SIZE	MODEL #	DESCRIPTION	QTY. PER CRTN.	CV VALUE
3/8"	120-557	3/8" PVC inline strainer 1800 micron	20	6
1/2"	120-558	1/2" PVC inline strainer 1800 micron	20	6
3/4"	120-559	3/4" PVC inline strainer 1800 micron	20	12
1"	120-560	1" PVC inline strainer 1800 micron	15	14
1 1/4"	120-561	1 1/4" PVC inline strainer 1800 micron	20	27
1 1/2"	120-562	1 1/2" PVC inline strainer 1800 micron	10	50
2"	120-563	2" PVC inline strainer 1800 micron	8	65
2 1/2"	120-564	2 1/2" PVC inline strainer 1800 micron	4	100
3"	120-565	3" PVC inline strainer 1800 micron	1	140
4"	121-044	4" PVC inline strainer 1800 micron	1	140

\*US GPM @ 1PSI head loss

### 1000 MICRON- PVC-EPDM-SOCKET-SS MESH

SIZE	3/8"	1/2"	3/4"	1"	1 1/4"	1.5"	2"	2.5"	3"
<b>PART #</b>	124-73510	124-73610	124-73710	124-73810	124-73910	124-74010	124-74110	124-74210	124-74310

### 750 MICRON-PVC-EPDM-SOCKET-SS MESH

SIZE	3/8"	1/2"	3/4"	1"	1 1/4"	1.5"	2"	2.5"	3"
<b>PART #</b>	124-73507	124-73607	124-73707	124-73807	124-73907	124-74007	124-74107	124-74207	124-74307

### 500 MICRON- PVC-EPDM-SOCKET-SS MESH

SIZE	3/8"	1/2"	3/4"	1"	1 1/4"	1.5"	2"	2.5"	3"
<b>PART #</b>	124-73505	124-73605	124-73705	124-73805	124-73905	124-74005	124-74105	124-74205	124-74305

# DOUBLE UNION SPRING CHECK VALVES



Size:	1/2" to 3"
Material:	PVC, PP, PVDF
O-Rings:	EPDM, Viton
Design:	Schedule 80
Note:	1/2" - 2" - 232 PSI @ 73°F 3" - 150 PSI @ 73°F



## FEATURE:

- Corrosion resistant stainless steel compression spring or Teflon coated spring
- Spring cracking pressure: 1 PSI

### PVC/EPDM/STAINLESS STEEL SPRING

SKT x SKT		
SIZE	MODEL #	QTY. PER CRTN.
1/2"	3-050	20
3/4"	3-075	20
1"	3-100	15
1 1/4"	3-125	20
1 1/2"	3-150	10
2"	3-200	8
2 1/2"	3-250	4
3"	3-300	1

FIP x FIP	
MODEL #	QTY. PER CRTN.
3-051	20
3-076	20
3-101	15
3-126	20
3-151	10
3-201	8
3-251	4
3-301	1

### PVC/VITON/STAINLESS STEEL SPRING

SKT x SKT		
SIZE	MODEL #	QTY. PER CRTN.
1/2"	3-050-V	20
3/4"	3-075-V	20
1"	3-100-V	15
1 1/4"	3-125-V	20
1 1/2"	3-150-V	10
2"	3-200-V	8
2 1/2"	3-250-V	4
3"	3-300-V	1

FIP x FIP	
MODEL #	QTY. PER CRTN.
3-051-V	20
3-076-V	20
3-101-V	15
3-126-V	20
3-151-V	10
3-201-V	8
3-251-V	4
3-301-V	1

### PVC/VITON/TEFLON COATED SPRING

SKT x SKT		
SIZE	MODEL #	QTY. PER CRTN.
1/2"	3-050-VT	20
3/4"	3-075-VT	20
1"	3-100-VT	15
1 1/4"	3-125-VT	20
1 1/2"	3-150-VT	10
2"	3-200-VT	8
2 1/2"	3-250-VT	4
3"	3-300-VT	1

FIP x FIP	
MODEL #	QTY. PER CRTN.
3-051-VT	20
3-076-VT	20
3-101-VT	15
3-126-VT	20
3-151-VT	10
3-201-VT	8
3-251-VT	4
3-301-VT	1



## SINGLE UNION SPRING CHECK VALVES

Material:	Grade 1 PVC (White)
O-Rings:	EPDM, Viton
Compression Spring:	SS 302, Hastelloy
Pressure Rating:	150 PSI

### FEATURE:

- Available with multiple spring loads.
- Flow check can be reversed by switching poppet assembly.
- 1 1/2" body can be glued onto 1 1/2" pipe or into 2" socket.
- **Valve packaged with 3 spring loads** (1/4 lb, 1/2lb and 2 lb) - "TRI".
- 1 1/2" model = 1 PSI headloss @ 60 GPM
- 2" model = 1 PSI headloss @ 90 GPM



1 1/2"

2"

1 1/2"			2"		
SKT x SKT			SKT x SKT		
MODEL #	SPRING LOAD	QTY. PER CTRN.	MODEL #	SPRING LOAD	QTY. PER CRTN.
150-CV-025	1/4 LB	30	200-CV-025	1/4 LB	18
150-CV-050	1/2 LB	30	200-CV-050	1/2 LB	18
150-CV-200	2 LB	30	200-CV-200	2 LB	18
150-CV-350	3 1/2LB	30	200-CV-350	3 1/2 LB	18
150-CV-500	5 LB	30	200-CV-500	5 LB	18
150-CV-TRI	1/4 - 2 LB	30	200-CV-TRI	1/4 - 2 LB	18

High corrosion resistant 2 lbs valves - (Viton seals) Hastelloy-C springs

SIZE	MODEL #	SPRING LOAD	QTY. PER CRTN.
1 1/2"	150-CV-200CR	2 LB	30
2"	200-CV-200CR	2 LB	18
1 1/2"	150-CVC-200CR	2 LB	30 Clear Body
2"	200-CVC-200CR	2 LB	18 Clear Body

## CLEAR BODY CHECK VALVES

SIZE	MODEL #	SPRING LOAD	QTY. PER CRTN.
1 1/2"	150-CVC-025	1/4 LB	30
2"	200-CVC-025	1/4 LB	18
1 1/2"	150-CVC-TRI	1/4 - 2 LB	30
2"	200-CVC-TRI	1/4 - 2 LB	18





## SLIM-LINE CHECK VALVES

Size:	2" -SCH 80
Ends:	2" Socket
Seal:	EPDM
Body:	PVC
Pressure Rating:	150 PSI



### FEATURE:

- Full 2" Flow
- 1 PSI Head Loss at 90 GPM
- 2" socket - 2 1/2" spigot ends

MODEL #	SPRING LOAD	QTY. PER. CRTN.
200-CVS-025	1/4 LB	30
200-CVS-050	1/2 LB	30
200-CVS-200	2 LB	30
200-CVS-350	3 1/2 LB	30
200-CVS-500	5 LB	30
215-CVS-050	1/2 LB	20



## DOUBLE UNION CLEAR SPRING CHECK VALVES

Size:	1 1/2" - 2"
Ends:	Socket 1 1/2" and 2"
O-Rings:	EPDM
Body:	Transparent PVC
Press Rating:	150 PSI



1 1/2"

2"

SKT x SKT			SKT x SKT		
MODEL #	SPRING LOAD	QTY. PER CTRN.	MODEL #	SPRING LOAD	QTY. PER CRTN.
152-CVC-025	1/4 LB	30	202-CVC-025	1/4 LB	18
152-CVC-050	1/2 LB	30	202-CVC-050	1/2 LB	18
152-CVC-200	2 LB	30	202-CVC-200	2 LB	18
152-CVC-TRI	1/4 - 2 LB	30	202-CVC-TRI	1/4 - 2 LB	18
152-CVC-025CR	1/4 LB	30	202-CVC-025CR	1/4 LB	18
152-CVC-050CR	1/2 LB	30	202-CVC-050CR	1/2 LB	18
152-CVC-200CR	2 LB	30	202-CVC-200CR	2 LB	18

Transparent PVC is not suited for long term UV exposure

## WAFER CHECK VALVES K6 SERIES

### FEATURES:

- No spacer required on newest generation of wafer check
- Easy spring installation without any special tool requirements
- Easy installation due to integrated flange bolt guides for DIN 2501 PN10 and ANSI Class 150
- Rated to 150 psi on all sizes



PVC

SIZE	MODEL #
1-1/2"	129100
2"	129101
2-1/2"	129102
3"	129103
4"	129104
5"	129105
6"	129106
8"	129107
10"	129108
12"	129109
14"	129110

### PVC/MITON W/SS SPRING

SIZE	MODEL #
1-1/2"	129111
2"	129112
2-1/2"	129113
3"	129114
4"	129115
5"	129116
6"	129117
8"	129118
10"	129119
12"	129120
14"	120908



## WAFER CHECK VALVES

Sizes:	5" to 20"
	24"-40" also available P.U.R
Material:	PVC
O-Rings:	Buna N, EPDM, Viton or Teflon
Spring:	316 S.S.



### FEATURES:

- Economical, space saving design.
  - Light weight, non-corrosive construction.
- NOTE: Spacer rings for full disc opening recommended

PVC/EPDM	
SIZE	MODEL #
10"	460-100-E
12"	460-120-E
16"	460-160-E
20"	460-200-E

PVC/EPDM WITH SS SPRING	
SIZE	MODEL #
5"	470-50-E
10"	470-100-E
12"	470-120-E
16"	470-160-E

PVC/VITON	
SIZE	MODEL #
10"	460-100-V
12"	460-120-V
16"	460-160-V

PVC/VITON/316SS	
SIZE	MODEL #
5"	470-50-V
10"	470-100-V
12"	470-120-V
16"	470-160-V

## SPACERS FOR WAFER CHECK VALVES

SIZE	2"	2 1/2"	3"	4"	5"	6"	8"	10"	12"
MODEL #	3-20-7	3-25-7	3-30-7	3-40-7	3-50-7	3-60-7	3-80-7	3-100-7	3-120-7





## SWING CHECK VALVES

Size:	3" to 10"
Material:	PVC
O-Rings:	EPDM, Viton
Pressure Rating:	150 PSI Press Rated at 72°F
	Non-Wetted stainless-steel spring with position indicator. No spacer ring required Universal Flange Bolt Pattern

### FEATURES:

- No spacer ring required
- Mounts between 150 lbs ANSI flanges and DIN flanges
- Spring assisted spring closing of disc for vertical and horizontal installations
- External sight glass to view disc position with indicator pin
- Full noncorrosive construction- stainless spring is non wetted
- Stainless spring can be serviced through the sight glass mounting hole
- High flow capacity
- Rugged design



K4 Series

PVC/EPDM	
SIZE	MODEL #
3"	SCV-1030
4"	SCV-1040
6"	SCV-1060
8"	SCV-1080
10"	SCV-10100
PVC/VITON	
3"	SCV-1030V
4"	SCV-1040V
6"	SCV-1060V
8"	SCV-1080V
10"	SCV-10100V
PVC SWING CHECK VALVE FLANGE KIT	
3"	FK-SCV300
4"	FK-SCV400
6"	FK-SCV600
8"	FK-SCV800
10"	FK-SCV10100

Each kit consists of 2 flanges, nuts, bolts, and washers.





## KNIFE GATE VALVES

Sizes:	1" to 4"
Material:	Grade 1 PVC
O-Rings:	EPDM
Seals:	TPE Ozone Resistant (Santoprene) Pressure
Rating:	50 PSI. (1 1/2" & 2 1/2") 15 PSI. (3" & 4")
Gate:	POM (1 1/2" to 2 1/2") PVC-(3" & 4")
Shaft:	316 stainless-steel
	1" - 2 1/2" = white, 3" & 4" = grey



GATE = skt x skt



SLSP = skt x spigot



150-GMFT



HB4PMT MPT x VAC hose barb (1.5")



150-HB4PX2



151-GMFT

SIZE	MODEL #	DESCRIPTION	QTY. PER CRTN
1"	100-GATE	SKT X SKT	30
1 1/2"	150-GMFT	MIP X FIP (WHITE)	18
1 1/2"	151-GMFT	MIP X FIP (BLACK)	18
1 1/2"	150-GMMT	MIP X MIP	30
1 1/2"	150-GATE	SKT X SKT	24
1 1/2"	150-SLSP	SKT X SPIGOT	24
1 1/2"	150-UNIO	150-GATE W. UNION	17
1 1/2"	150-UNKT	UNION KIT- TO UNIONIZE 150-GATE	24
1 1/2"	150-HBMT	1 1/2" HOSE X MIP	30
1 1/2"	150-GFFT	FIP X FIP (WHITE)	24
1 1/2"	151-GFFT	FIP X FIP (BLACK)	24
1 1/2"	150-SLMT	SKT X MIP (WHITE)	18

### NOTE:

- Pool hose barbs (HB4) accommodate vacuum hose inside diameter of 1.5"
- Our model 150-HBMT accommodates "FLEX" PVC pipe and poly hose [barb diameter (1 & 5/8")]



## KNIFE GATE VALVES



150-UNIO



150-HBMT



### SAFETY CLIP

SIZE	MODEL #	QTY. PER CRTN.
1 1/2"	150-CLP	50
2"	210-CLP	50
2 1/2"	260-CLP	50
3" - 4"	400-CLP	10



4" with pneumatic actuator

SIZE	MODEL #	DESCRIPTION	QTY. PER CRTN.
1 1/2"	150-HBX2	1 1/2" HOSE X 1 1/2" HOSE	18
1 1/2"	150-HB4PMT	1 1/2" POOL HOSE X 1 1/2" MIP	18
1 1/2"	150-HB4PX2	1 1/2" POOL HOSE X 1 1/2" POOL HOSE	30
2"	200-GATE	SKT X SKT	25
2"	200-SLSP	SKT X SPIGOT	25
2"	200-UNIO	VALVE WITH UNION 2"	25
2 1/2"	250-GATE	SKT X SKT	18
2 1/2"	250-SLSP	SKT X SPIGOT	12
3"	300-GATE	SKT X SKT GREY inc. safety clip	2
3"	300-GV16	SKT X SKT WHITE	4
4"	400-GATE	SKT X SKT GREY inc. safety clip	2

SIZE	MODEL #	DESCRIPTION	QTY. PER CRTN.
2"	200-GAIRMAG	2" GATE VALVE WITH AIR ACTUATOR D.A.	1
3"	300-GAIRMAG	3" GATE VALVE WITH AIR ACTUATOR D.A.	1
4"	400-GAIRMAG	4" GATE VALVE WITH AIR ACTUATOR D.A.	1



## UNI-BODY KNIFE GATE VALVES

Feature:	Patent Pending gate design with integrated O-ring
	Safety clip included to keep gate open
	Internal gate snap lock feature to keep gate open
Material:	PVC white
O-Rings:	Buna Nitrile, EPDM, Viton
Ports:	2" socket by 2.5" spigot, 2.5" socket by 3" spigot
Pressure Rating:	Max. 50PSI



SIZE	MODEL #	DESCRIPTION	QTY. PER CRTN.
2"	210-GATE	PVC UNIBODY GATE VALVE SKTXSKT	BULK
2"	210-GSLSP	PVC UNIBODY GATE VALVE SKTXSPIGOT	BULK
2 1/2"	260-GATE	PVC UNIBODY GATE VALVE SKTXSKT	BULK
2 1/2"	260-GSLSP	PVC UNIBODY GATE VALVE SKTXSPIGOT	BULK



## MANWAY GASKET FOR NEMATO TANK

MODEL #	DESCRIPTION	QTY. PER CRTN.
NEM-GASK1612	16" X 12" G7950 GASKET FOR MANWAY GASKET FOR NEMATO TANK	1



## INLINE SIGHT GLASS

Size:	1 1/2" - 3"
Material:	PVC- clear
O-Rings:	EPDM



### FEATURES:

- Fully unionized inline sight glass for easy cleaning

MODEL #	DESCRIPTION	QTY. PER CRTN.
152-ISG	1 1/2" INLINE SIGHT GLASS SKT X SKT	1
202-ISG	2" INLINE SIGHT GLASS SKT X SKT	1
252-ISG	2 1/2" INLINE SIGHT GLASS SKT X SKT	1
302-ISG	3" INLINE SIGHT GLASS SKT X SKT	1

## PLASTIC CLAMP RING FOR TOP MOUNTED L-STYLE FLANGE

MODEL #	DESCRIPTION	QTY. PER CRTN.
12L-CLP	CLAMP RING INCLUDING HARDWARE	1

FITS ON TM-12-L & TM-22-L



## BACKWASH - SIGHT GLASS

Size:	1 1/2"
Material:	PVC, ABS, Acrylic
O-Rings:	EPDM

### FEATURES:

- Noncorrosive plastic construction
- Threaded cleaning plug
- Light weight

### APPLICATION:

- Radial installation in 3" or 4" backwash line

MODEL #	DESCRIPTION	QTY. PER CRTN.
SGS-150	1 1/2" BACKWASH SIGHT GLASS	6





## TOP MOUNT MULTIPOINT VALVES

Sizes:	1½" & 2"
Material:	ABS (white or black)
	Noryl - glass filled
O-Rings:	EPDM



TM-12-CFC

TM-12L

### FEATURES:

- Choice of socket or threaded (BSP or NPT) ports.
- Choice of screw-down, bolt-down, or clamp-down models
- O-ring for standpipe standard

**PORTING OF TM12 CFC ONLY  
DOES NOT MATCH OEM**

NOTE: VISIT [www.nsf.org](http://www.nsf.org) FOR UPDATED LISTINGS

SIZE	MODEL #	DESCRIPTION	QTY. PER CRTN.
1 1/2"	TM-12-A	6" UNC THREAD (FINE V-THREAD)	1
1 1/2"	TM-12-B	6" BUTTRESS THREAD (COURSE V-THREAD)	1
1 1/2"	TM-12-E	BOLT DOWN 8 BOLTS (7-11)	1
1 1/2"	TM-12-S	CLAMP DOWN 7.5" CLAMP FLANGE (American)	1
1 1/2"	TM-12-S8	CLAMP DOWN 8.22" CLAMP FLANGE (American)	1
1 1/2"	TM-12-H8	CLAMP DOWN 8" CLAMP FLANGE (SP711-13)	1
1 1/2"	TM-12-L	CLAMP DOWN 8.25" CLAMP FLANGE - NSF 50 Approved	1
1 1/2"	TM-12-JL	DISCONTINUED	
1 1/2"	TM-12-JL7	BOLT DOWN 6 BOLTS LASER FILTER/CODE 130167	1
1 1/2"	TM-12-PB	5.98" BUTTRESS THREAD	1
1 1/2"	TM-12-CFC	CLAMP DOWN 6.5" CLAMP FLANGE 130885	1
1 1/2"	TM-12-9BH	CLAMP DOWN 9" CLAMP FLANGE	1
2"	TM-22-L	CLAMP DOWN 8.25" CLAMP FLANGE	1
2"	TM-22-JAC	7 1/16" BUTTRESS THREAD	1
2"	TM-22-PB	CLAMP DOWN 8.22" CLAMP FLANGE	1
2"	TM-22-E	BOLT DOWN 8 BOLTS	1
2"	TM-22-PA	CLAMP DOWN 8.22" CLAMP FLANGE	1
		W/O DIFFUSER BASKET	
2"	TM-22-H8	CLAMP DOWN 8" CLAMP FLANGE (SP716-21)	1
2"	TM-22-LA	1 BOLT DOWN 12 BOLTS, 247BC	1

### FLOW RATES

1 1/2" Top Mount MPV flow rate in GPMs	20	30	40	50	60	70	80	
1 1/2" Top Mount MPV head loss in PSI	1.0	1.8	2.9	1.2	5.6	7.3	9.0	
2" Top Mount MPV flow rate in GPMs	70	80	90	100	110	120	130	140
2" Top Mount MPV head loss in PSI	2.2	2.8	3.6	4.4	5.3	6.3	7.4	8.7



## SIDE MOUNT MULTIPOINT VALVES

Size:	1/2", 2" and 3"
Material:	High impact ABS (white or black).
Option:	Glass filled NORYL for high pressure applications. (75 PSI. operating pressure).



### FEATURES:

- Choice of socket or threaded (FIP)
- NPT, BSP or JIS threads
- Four piping variations including all open ports
- Two plugs will be supplied with all open port models.

### 3" MODELS:

All open ports with socket ports only

NOTE: VISIT [www.nsf.org](http://www.nsf.org) FOR UPDATED LISTINGS

Fits Pentair TR-100 C-3 & TR-140 C-3

SIZE	MODEL #	DESCRIPTION	QTY. PER CRTN.
1 1/2"	SM-10-2	ABS S.M. MPV THR PORTS FOR D.E. FILTER NSF 50 approved	1
1 1/2"	SM-10-3	ABS S.M. MPV THR PORTS FOR SAND FILTER NSF 50 approved	1
1 1/2"	SM-10-AO	ABS S.M. MPV ALL OPN THR PORTS C/W PLUGS (SAND OR DE) NSF 50 approved	1
2"	SM-20-2	ABS S.M. MPV THR PORTS FOR D.E. FILTER NSF 50 approved	1
2"	SM-20-3	ABS S.M. MPV THR PORTS FOR SAND FILTER NSF 50 approved	1
2"	SM-20-AO	ABS S.M. MPV ALL OPN THR PORTS C/W PLUGS (SAND OR DE) NSF 50 approved	1
1 1/2"	SM-10-AOS	ABS S.M. MPV ALL OPN SLIP PORTS (SAND OR DE)	1
2"	SM-20-AOS	ABS S.M. MPV ALL OPN SLIP PORTS (SAND OR DE)	1
3"	SM-30-AO	DISCONTINUED	
3"	SM-30-AOB	(BLACK) ABS S.M. MPV ALL OPEN SLIP PORTS (SAND OR DE)	1
3"	SM3-PP3TRC3	ABS S.M. MPV FITS PENTAIR TR-100 C-3, TR-140 C-3, COM. SAND FILTER	1

ALL SM30 MODELS AFTER JANUARY 2002 WILL HAVE SPIDER GASKET IN ROTOR

### FLOW RATES

3" Side Mount MPV flow rate in GPMs	170	185	200	220	240	255	270	300	320	340
3" Side Mount MPV head loss in PSI	1.6	2.0	2.6	3.0	3.5	4.0	4.8	5.5	6.2	7.0

SIZE	MODEL #	DESCRIPTION	QTY. PER CRTN.
3"	HWK-300	HRDWR KIT W/ GASKETS, NUTS, BOLTS & WASHERS FOR 3" PRE-PLUMBED MPV	1



# PRE-PLUMBED MULTIPORT VALVES

## FEATURES:

- Molded 90° plumbing sweep for optimum flow performance



SM2-PP3

SM1-PP2

NOTE: VISIT [www.nsf.org](http://www.nsf.org) FOR UPDATED LISTINGS

## PREPLUMBED MPVS FOR SAND FILTERS

SIZE	MODEL #	DESCRIPTION
1.5"	SM1-HP3	SM-10-3 W HAYWARD PLUMBING (5" CENTER) 1.5" FIP NSF 50 approved
1.5"	SM1-HPX62	SM-10-3 W. HAYWARD PLUMBING F. PRO SERIES - 6" CENTERS
2"	SM2-HP3	SM 20-3 W/ HAYWARD (5" CENTER) 2" FIP NSF 50 approved (6" CENTRE TO CENTRE PLUMBING) 1.5" FIP
1.5"	SM1-PP3	SM-10-3 W. Pentair, 1.5" FIP NSF 50 approved
2"	SM2-PP3	SM-20-3 W. Pentair 2" FIP NSF 50 approved
2"	SM2-HPX62	SM-20-3 W. HAYWARD PLUMBING 2" FIP, PRO SERIES 6" CENTER

## PREPLUMBED MPVS FOR D.E. FILTERS

SIZE	MODEL #	DESCRIPTION
1.5"	SM1-HP2	SM10-2 W. HAYWARD PLUMBING 5" CENTER, 1.5" FIP NSF 50 approved
2"	SM2-HPXR50	SM20-2 W. HAYWARD PLUMBING 5" CENTER, 2" FIP NSF 50 approved
2"	SM2-HPXR50S	SM20-2 W. HAYWARD PLUMBING 5" CENTER, 2" SOCKET NSF 50 approved
1.5"	SM1-PP2	SM10-2 W. Pentair 1.5" FIP NSF 50 approved
2"	SM2-PP2	SM20-2 W. Pentair 2" FIP NSF 50 approved

## PREPLUMBED MPVS FOR STA-RITE FILTERS

SIZE	MODEL #	DESCRIPTION
2"	SM2-SR3U	SM-20-3 W. STA-RITE PLUMBING, 2" FIP WHITE
2"	SM2-SR2	SM20-2 W. STA-RITE PLUMBING 2" FIP, BLACK NSF 50 approved

## FLOW RATES

1 1/2" Side Mount MPV flow rate in GPMs	20	30	40	50	60	70	80	
1 1/2" Side Mount MPV head loss in PSI	0.8	1.5	2.5	3.8	5.0	6.5	8.0	
2" Side Mount MPV flow rate in GPMs	70	80	90	100	110	120	130	140
2" Side Mount MPV head loss in PSI	3.2	4.3	5.5	6.6	8.2	10.0	11.0	12.0



## BULKHEAD ADAPTER HALF UNION

MODEL #	DESCRIPTION	QTY. PER CRTN.
UNK-1TRITON	1 1/2" SPIGOT HALF UNION C/W O-RING	1
UNK-2TRITON	2" SPIGOT HALF UNION C/W O-RING	1
UNK-1HAY	1 1/2" SPIGOT HALF UNION C/W O-RING	1
UNK-2HAY	2" SPIGOT HALF UNION C/W O-RING	1
UNK-2SR	2" SPIGOT HALF UNION C/W O-RING	1
	MACHINED 2"	



## Sch 80 CPVC (Corzan) Fittings

ASTM D2457 NSF61 (made in Canada)

SIZE	DIAMETER RANGE (mm)	PART #	BOX QTY
1 1/4"	90° Elbow (SxS)	506-012	25
1 1/4"	90° Tee (SxSxS)	501-012	25
1 1/4"	90° Street Elbow (SxSpgt)	509-012	25





# AQUASTAR MP6 PLC

**NOTE:**

**CONTROLS SUCH AS PRESSURE SWITCH, TIMERS, RELAYS, ON & OFF SWITCHES FOR CONTROLLING AQUASTAR ACTUATOR ARE NOT INCLUDED, AND MUST BE PROVIDED BY YOUR OWN PLC SYSTEM.**

- 24 VDC 6 position valve actuator.
- Protection Class IP65
- Controls and power supply to be supplied by others.
- Very economical and the most universal automated valve actuator on the market.
- Internal pump limit switch will disrupt pump during actuator's positioning mode.
- Manufactured in an ISO 9001 facility.
- Adaptation to all commonly used filters by means of 1.5" or 2" side/top mounts or 3" side mount
- MP = PROGRAMMABLE LOGIC CONTROL

**APPLICATIONS:**

- Provides automation of Praher Plastic Multiport valves by use of PLC controls.



**For clean water use only.  
Not to be used in high humidity  
environment or direct sunlight.**

MODEL #	VALVE	DESCRIPTION
AMP-SM10AO	1 1/2"	24VAC/MULTIPOSITION/SM-10-AO/6POS.
AMP-SM20AO	2"	24VAC/MULTIPOSITION/SM-20-AO/6POS.
AMP-SM30AOB	3"	24VAC/MULTIPOSITION/SM-30-AO/6 POS.
131386	1 1/2" - 2"	ACTUATOR WITHOUT VALVE - 24V AC
131387	3"	ACTUATOR WITHOUT VALVE - 24V AC

PART #	DESCRIPTION
131280	6V DC Gear Motor
131281	Pump Limit Switch
131410	24V AC/DC Circuit Board
102026	Blue adapter washer (excluded for TM-12-JI7, TM-12-CFC & 3" models)
101862	Handle
101393	Locking Insert for 3" AquaStar ASA-GF

# AQUASTAR CONTROL



## FEATURES:

- Programmable backwash control of Praher multi-port valves
- Time and pressure backwash cycle release
- Adjustable pressure sensor trigger pressure
- Digital display screen for easy program adjustments
- Real-time display of current conditions
- Protection class IP65
- Internal pump limit switch will disrupt pump during actuator's positioning mode
- Adaptation to all commonly used filters by means of 1.5" or 2" side/top mounts or 3" side mount



MODEL #	DESCRIPTION
AC-TM12H8	AUTO BW VALVE AQUASTAR CONTROL 100-230V ON (TM-12-H8 NSF 50 Approved)
AC-TM12L	AUTO BW VALVE AQUASTAR CONTROL 100-230V ON (TM-12-L NSF 50 Approved)
AC-TM12PB	AUTO BW VALVE AQUASTAR CONTROL 100-230V ON TM-12-PB
AC-TM22L	AUTO BW VALVE AQUASTAR CONTROL 100-230V ON TM-22-L
AC-TM22PB	AUTO BW VALVE AQUASTAR CONTROL 100-230V ON TM-22-PB
AC-TM22H8	AUTO BW VALVE AQUASTAR CONTROL 100-230V ON TM-22-H8
AC-SM3PP3TRC3	AUTO BW VALVE AQUASTAR CONTROL 100-230V ON SM3-PP3TRC3 (FLANGED)
AC-SM30AOB	AUTO BW VALVE AQUASTAR CONTROL 100-230V ON SM-30-AOB (SLIP)
AC-SM20AO	AUTO BW VALVE AQUASTAR CONTROL 100-230V ON SM-20-AO (FPT)
AC-SM10AO	AUTO BW VALVE AQUASTAR CONTROL 100-230V ON SM-10-AO (FPT)
AC-SM1PP3S	AUTO BW VALVE AQUASTAR CONTROL 100-230V ON SM1-PP3 (SLIP)
AC-SM1PP3	AUTO BW VALVE AQUASTAR CONTROL 100-230V ON SM1-PP3 (FPT)
AC-SM1PP2	AUTO BW VALVE AQUASTAR CONTROL 100-230V ON SM1-PP2 (FPT)
AC-SM2PP3S	AUTO BW VALVE AQUASTAR CONTROL 100-230V ON SM2-PP3S (SLIP)
AC-SM2PP3	AUTO BW VALVE AQUASTAR CONTROL 100-230V ON SM2-PP3 (FPT)
AC-SM2PP2	AUTO BW VALVE AQUASTAR CONTROL 100-230V ON SM2-PP2 (FPT)
AC-SM2SR2	AUTO BW VALVE AQUASTAR CONTROL 100-230V ON SM2-SR2 (FPT)
	<b>AQUASTARS ONLY</b>
131492	ACTUATOR FOR 1.5" & 2" VALVE, 24V AC/DC
131493	ACTUATOR FOR 1.5" & 2" VALVE, 24V AC/DC OR 110-240V AC OR 170-300V DC
131494	ACTUATOR FOR 3" VALVE, 24V AC/DC
131495	ACTUATOR FOR 3" VALVE, 24V AC/DC OR 110-240V AC OR 170-300V DC

## AQUASTAR CONTROL PARTS LIST



PART #	DESCRIPTION
131512	230V Circuit Board
131280A	6V DC Gear Motor
131281A	Pump Limit Switch
131450A	Pressure Sensor
131515	Cover with Digital Display
101393	Locking Insert for 3" Aquastar ASA-GF

## AQUASTAR COMFORT 6001 PARTS LIST

PART #	DESCRIPTION
131282	230V Circuit Board
131280	6V DC Gear Motor
131281	Pump Limit Switch
131348	Pressure Sensor
131283	Digital Clock
101393	Locking Insert for 3" Aquastar ASA-GF



## ELECTRICALLY ACTUATED BALL VALVES HEAVY DUTY (M1 TYPE)

Size:	1/2" to 4"
Open-close:	9 seconds (1/2" to 2") 13 seconds (2 1/2" to 4")
Enclosures:	NEMA 6 (IP67)
Pressure Rating:	150 PSI (1/2" to 2") 90 PSI (2 1/2" to 4")
Duty Cycle:	75%



### 24-240 VAC/VDC

SIZE	PVC WITH EPDM O-RINGS	PVC WITH VITON O-RINGS
	PART #	PART #
1/2"	210-133S20	210-140S20
3/4"	210-134S20	210-141S20
1"	210-135S20	210-142S20
1-1/2"	210-137S20	210-144S20
2"	210-138S20	210-145S20
2-1/2"	210-528S55	210-531S55
3"	210-529S55	210-532S55
4" *	210-530S55	210-533S55

\* 3" valve venturied to 4"

### 12 VAC / VDC ONLY

SIZE	PVC WITH EPDM O-RINGS	PVC WITH VITON O-RINGS
	PART #	PART #
1/2"	210-133B20	210-140B20
3/4"	210-134B20	210-141B20
1"	210-135B20	210-142B20
1-1/2"	210-137B20	210-144B20
2"	210-138B20	210-145B20
2-1/2"	210-528B55	210-531B55
3"	210-529B55	210-532B55
4" *	210-530B55	210-533B55

\* 3" valve venturied to 4"

Add 'T' to the end of the part number for threaded ends at an increased price of 5%.

### Options and Accessories – Add to the price of the actuator.

OPTION	PART #
4-20 mA Positioner	J-POS420
0-10 Volt Positioner	J-POS010
Electric Failsafe (Battery)	J-BAT
CSA Certification	J-CSA



## PIPE CLAMPS S4 SERIES

Materials: High impact copolymer  
polypropylene (grey) UV stabilized.



SIZE	DIAMETER RANGE MM	MODEL #	QTY. PER CRTN.
3/8"	17-19 mm	PP-038	1200
1/2"	20-23 mm	PP-050	1000
3/4"	25-28 mm	PP-075	600
1"	31-35 mm	PP-100	500
1 1/4"	39-43 mm	PP-125	350
1 1/2"	47-51 mm	PP-150	225
2"	60-65 mm	PP-200	125
2 1/2"	72-77 mm	PP-250	150
3"	88-92 mm	PP-300	100

Technical specifications see page 59

## PIPE EXTENDERS

Materials: PVC white  
PVC sch40

INSIDE x SPIGOT SCH40		
SIZE	MODEL #	QTY. PER CRTN.
1 1/2"	ISPX-150	50
2"	ISPX-200	50





## INSERT FITTINGS



150-MTH4



150-SPH4



150-314



150-317



150-SPH4P

**JACUZZI FITTING** ←

FOR POLYETHYLENE HOSE (HOSE INSIDE DIAMETER 1 & 5/8")

SIZE	MODEL #	DESCRIPTION	QTY. PER CRTN.
1 1/2"	150-MTH4	1 1/2" MIP X 1 1/2" HOSE BARB ABS (WHITE)	50
1 1/2"	150-SPH4	1 1/2" SPIGOT X 1 1/2" HOSE BARB PVC (WHITE)	50

FOR FLEX PVC OR EXTRUDED POOL HOSE (HOSE I.D. 1.5")

SIZE	MODEL #	DESCRIPTION	QTY. PER CRTN.
1 1/2"	150-MTH4P	1 1/2" MIP X 1 1/2" POOL HOSE (ABS) BLACK	50
1 1/2"	150-SPH4P	1 1/2" SPIGOT X 1 1/2" POOL HOSE (PVC) WHITE	50
1 1/2"	150-314	1 1/2" MIP X 1 1/2" POOL HOSE (CLEAR)	10
1 1/2"	150-HCOUP	1 1/2" POOL HOSE COUPLER	50
1 1/2"	150-317	1 1/2" DUAL HOSE (WHITE) ADAPTER	50
1 1/2"	150-258	50MM SPGT. X 1.5" - 1.25" HOSE BARB ABS WHITE	50

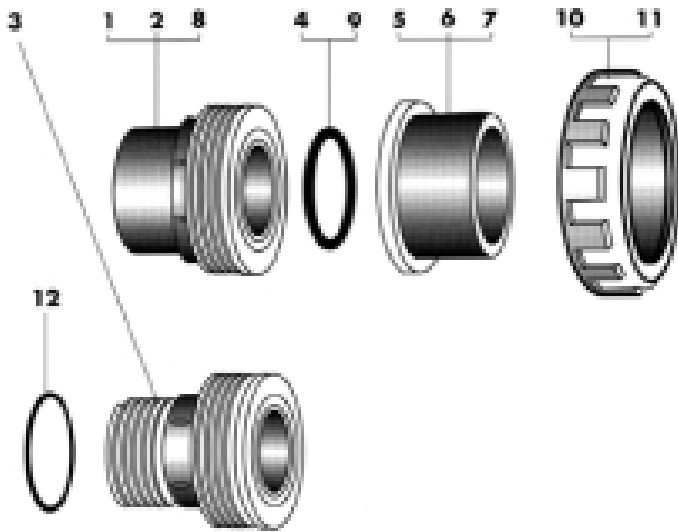
## WINTERIZING PLUGS

SIZE	MODEL #
1/4"	025-PLG
1 1/2"	150-PLG
2"	200-PLG





## PARTS - PVC UNIONS

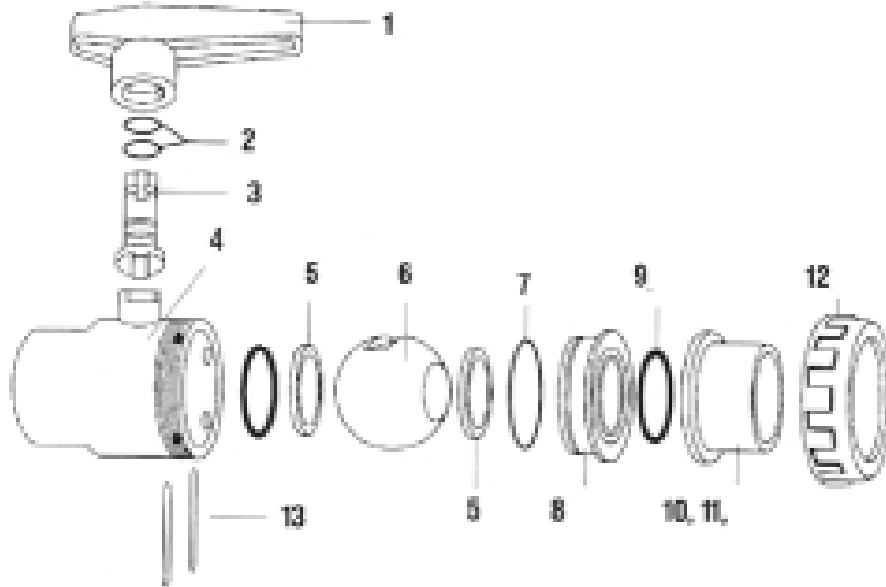


		2 1/2"
POS.	DESCRIPTION	MODEL #
1	UNION BODY-SLIP	U-2501-1S
3.1	UNION BODY MPT-HEAT	U-225-1MTH
4	O-RING	N-336
5	SOCKET SLIP	U-250-5S
10	STANDARD NUT	U-250-11
11	HIGH HEAT NUT	U-250-11H
12	O-RING FOR MPT	E331

		1 1/2"	2	3
POS.	DESCRIPTION	MODEL #	MODEL #	MODEL #
1	UNION BODY-SLIP	U-150-1S	U-200-1S	U-300-1S
2	UNION BODY-FPT	U-150-1FT	U-200-1FT	U-300-1FT
3	UNION BODY-MPT	U-150-1MT	U-200-1MT	U-300-1MT
3.1	UNION BODY-MPT-HEAT	U-150-1MTH	U-200-1MTH	
3.2	UNION BODY-MPT-HEAT-LONG		U-200-1MTHL	
3.3	TRANS UNION BODY-MPT	U-151-1MT		
4	O-RING	N328	E331	N74X6
5	SOCKET SLIP	U-150-3S	U-200-3S	U-300-S
5.1	SOCKET SLIP BLACK		U-200-3SB	N/A
5.2	DOUBLE HOSE BARD END	U-150133		
6	SOCKET FPT	U-150-3T	U-200-3T	U-300-3T
11	STANDARD NUT	U-150-4	U-200-4	U-300-4
11.1	HIGH HEAT NUT	U-150-4H	U-200-4H	
12	O-RING FOR MPT	E225	E331	
2	63 MM BODY SLIP		U-200-163	
6	63 MM SOCKET SLIP		U-200-363	
6	50 MM SOCKET SLIP	U-150-350		



## PARTS - PVC SINGLE UNION BALL VALVES



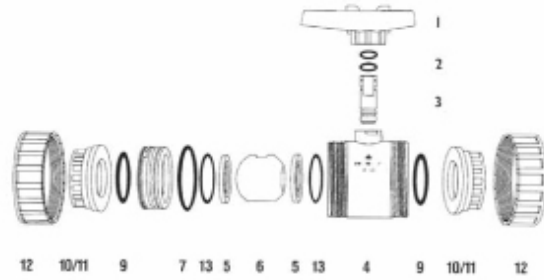
\*FOR 150 HBMAXII

		1/2"	3/4"	1"	1 1/2"	2"
POS	DESCRIPTION	MODEL #	MODEL #	MODEL #	MODEL #	MODEL #
1	HANDLE BLUE	SU-050-1B	SU-075-1B	SU-100-1B	SU-150-1B	SU-200-1B
1.1					SU-150-1 SHORT	
2	STEM O-RINGS	N-2X12	N-111	N-111	N-113	N-115
3	STEM	TU-050-3	TU-075-3	TU-075-3	SU-150-3	SU-200-3
4	BODY-SLIP	SU-050-4	SU-075-4	SU-100-4	SU-150-4	SU-200-4
5	HDPE BALL SEAT	SU-050-5	SU-075-5	SU-100-5	SU-150-5	SU-200-5
6	BALL	SU-050-6	SU-075-6	SU-100-6	SU-150-6	SU-200-6
7	O-RING	E26X3	E33X3	E38X3	E142	E232
8	RETAINER RING	SU-050-8	SU-075-8	SU-100-8	SU-150-8	SU-200-8
9	O-RING	E26X3	E215	E218	N328	E331
10	SLIP END	SU-050-10	SU-075-10	SU-100-10	SU-150-10	SU-200-10
11	THREADED END	SU-050-11	SU-075-11	SU-100-11	SU-150-11	SU-200-11
12	NUT	SU-050-12	SU-075-12	SU-100-12	SU-150-12	SU-200-12
13	PINS				SU-150-14	SU-200-14
14	O-RING (BALL SEAT)				N-031	





# PARTS - S6 PVC TRUE UNION BALL VALVES



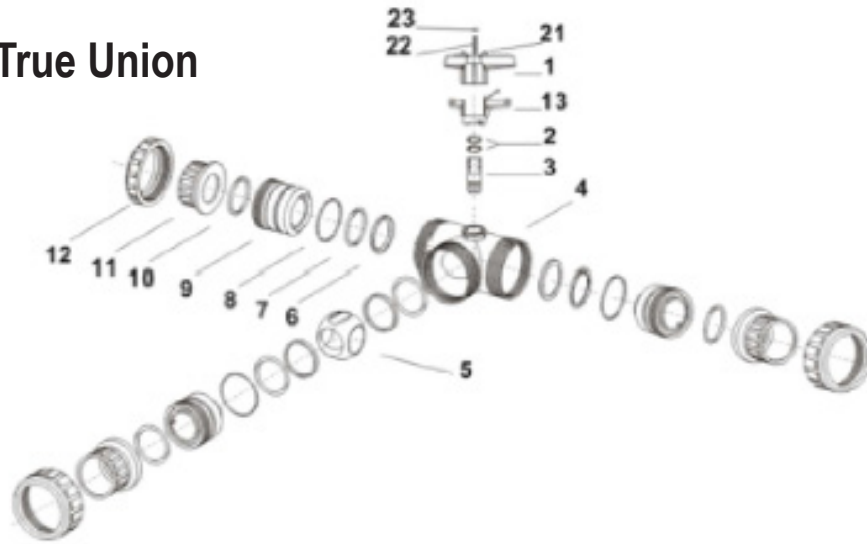
	#1 - ORANGE HANDLE	#2 - STEM O-RINGS	#3 - STEM	#4 - BODY
SIZE	MODEL #	MODEL #	MODEL #	MODEL #
1/2"	100002B	E10X2	140163A	101929
3/4"	100002B	E111	160610	101930
1"	100022A	E111	140610A	101931
1-1/4"	100040C	E113	140618A	101932
1-1/2"	100052B	E115	100422A	101515A
2"	101170B	E115	100422A	101516A
2½"	100077A	E24X3	142042	142483
3"	102067A	E214	102095	142357
4"	102067A	E214	102095	142358

	#5 - PE BALL SEAT	#6 - BALL	#7 - CARRIER O-RING	#8 - RETAINER RING
SIZE	MODEL #	MODEL #	MODEL #	MODEL #
1/2"	101945	101933	E28X3	101937
3/4"	101946	101934	E33X3	101938
1"	101947	101935	E38X3	101939
1-1/4"	101948	101936	E48X3	101940
1-1/2"	101521	101517A	E228	101513A
2"	101522	101518A	E232	101514
2½"	101994A	101992	E90X4	101993
3"	102065	102063	E349	102064
4"	102065	102063	E349	102064

	#9 - FACE O-RING	#10 - UNION SOCKET END	#11 - UNION THREADED END	#12 - NUT
SIZE	MODEL #	MODEL #	MODEL #	MODEL #
1/2"	E22X3	TU05010	TU05011	101941
3/4"	E216	TU07510	TU07511	101942
1"	E218	TU10010	TU10011	101943
1-1/4"	E40X3.5	TU12510	TU12511	101944
1-1/2"	N328	TU15010	TU15011	101519
2"	E331	TU20010	TU20011	101520
2½"	E75X6	TU25010	TU25011	101995
3"	E90X6	TU30010	TU30011	102066
4"	E90X6	TU40010	TU40011	142112



# PARTS - S4 PVC 3-Way True Union Ball Valves



	#1A L-HANDLE	#1B T-HANDLE	#2 & 3 - STEM WITH EDPM O-RINGS	#2 & 3 - STEM WITH VITON O-RINGS	#4 - BODY	#5A L-BALL	#5B T-BALL	#6 - TEFLON BALL SEAT
SIZE	PART #	PART #	PART #	PART #	PART #	PART #	PART #	PART #
1/2"	141242	141241	140163A		141256	141258	141257	50387
3/4"	141235	141236	140610A		140528	140540	140529	50065
1"	141235	141236	140610A		140528	140540	140529	50065
1-1/4"	141237	141238	140618A		141180	141175	141174	50048
1-1/2"	141237	141238	140422A		141180	141175	141174	50048
2"	141239	141240	140422A		141181	141177	141176	50049

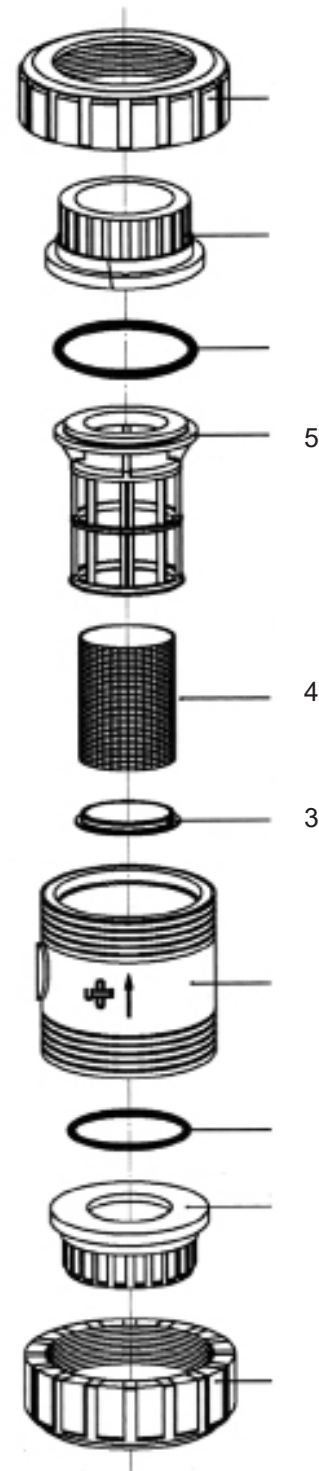
	#7A - SEAT CUSHION (EPDM)	#7B - SEAT CUSHION (VITON)	#8A - CARRIER O-RING (EPDM)	#8B - CARRIER O-RING (VITON)	#9 - RETAINER RING	#10A - FACE O-RING (EPDM)	#10B - FACE O-RING (VITON)	#11 - UNION SOCKET END
SIZE	PART #	PART #	PART #	PART #	PART #	PART #	PART #	PART #
1/2"	E008	V008	E26X3	V26X3	101059	E26X3	V26X3	TU05010
3/4"	E024	V024	E38X3	V38X3	100861	E32X3.5	V32X3.5	TU07510
1"	E024	V024	E38X3	V38X3	100861	E218	V218	TU10010
1-1/4"	E40X2.5		E356	V356	101300	E319	V319	TU12510
1-1/2"	E129	V129	E228	V228	101300	N328	V328	TU15010
2"	E135	V135	E231	V231	101301	E331	V331	TU20010

	#11 - UNION THREADED END	#12 - NUT
SIZE	PART #	PART #
1/2"	TU05011	100454
3/4"	TU07511	100455
1"	TU10011	100456
1-1/4"	TU12511	100457
1-1/2"	TU15011	100423A
2"	TU20011	100499A



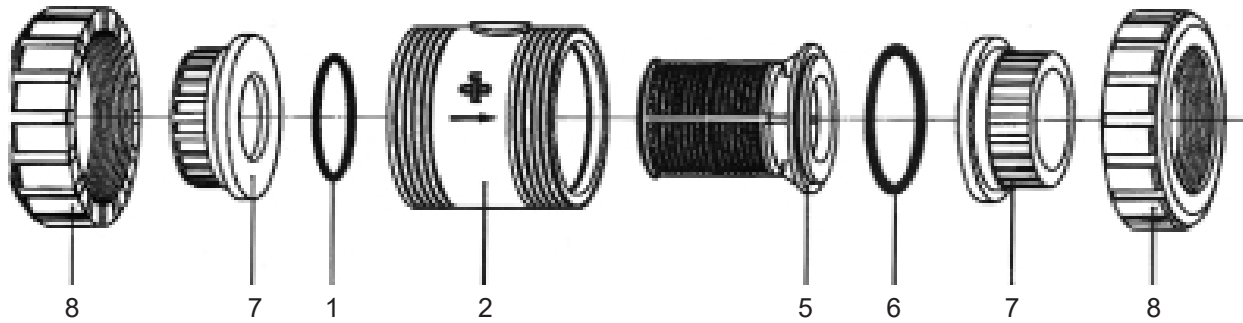
## PARTS - INLINE STRAINER (500, 750, 1000 MICRON)

POS	DESCRIPTION	MODEL #	SIZE
#3 + #5	BASKET & RETAINING RING KIT	141474	1/2"
#3 + #5	BASKET & RETAINING RING KIT	141475	3/4"
#3 + #5	BASKET & RETAINING RING KIT	141476	1"
#3 + #5	BASKET & RETAINING RING KIT	141477	1-1/4"
#3 + #5	BASKET & RETAINING RING KIT	141478	1-1/2"
#3 + #5	BASKET & RETAINING RING KIT	141479	2"
#3 + #5	BASKET & RETAINING RING KIT	141480	2 1/2"
#3 + #5	BASKET & RETAINING RING KIT	141481	3"
#3 + #5	BASKET & RETAINING RING KIT	141482	4"
4	500 S S MICRON SCREEN	50606	1/2"
4	500 S S MICRON SCREEN	50608	3/4"
4	500 S S MICRON SCREEN	50608	1"
4	500 S S MICRON SCREEN	50609	1-1/4"
4	500 S S MICRON SCREEN	50610	1-1/2"
4	500 S S MICRON SCREEN	50611	2"
4	500 S S MICRON SCREEN	50612	2 1/2"
4	500 S S MICRON SCREEN	50613	3"
4	500 S S MICRON SCREEN	50613	4"
4.1	750 S S MICRON SCREEN	50614	1/2"
4.1	750 S S MICRON SCREEN	50616	3/4"
4.1	750 S S MICRON SCREEN	50616	1"
4.1	750 S S MICRON SCREEN	50617	1-1/4"
4.1	750 S S MICRON SCREEN	50618	1-1/2"
4.1	750 S S MICRON SCREEN	50619	2"
4.1	750 S S MICRON SCREEN	50620	2 1/2"
4.1	750 S S MICRON SCREEN	50621	3"
4.1	750 S S MICRON SCREEN	50621	4"
4.2	1000 SS MICRON SCREEN	50622	1/2"
4.2	1000 SS MICRON SCREEN	50624	3/4"
4.2	1000 SS MICRON SCREEN	50624	1"
4.2	1000 SS MICRON SCREEN	50625	1-1/4"
4.2	1000 SS MICRON SCREEN	50626	1-1/2"
4.2	1000 SS MICRON SCREEN	50627	2"
4.2	1000 SS MICRON SCREEN	50628	2 1/2"
4.2	1000 SS MICRON SCREEN	50629	3"
4.2	1000 SS MICRON SCREEN	50629	4"





## PARTS - INLINE STRAINER (1800 MICRON)



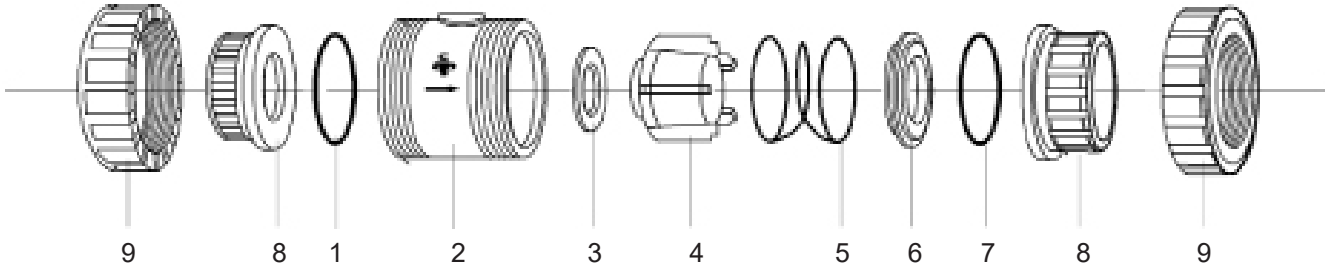
		1/2"	3/4"	1"
POS	DESCRIPTION	MODEL #	MODEL #	MODEL #
1	O-RING	E 20X3	E 26X3.5	E 32X3.5
2	BODY	100475	100476	100477
5	1800 MICRON PP SCREEN CAGE	100276	100277	100325
6	O-RING	E 216	E 35X3.5	E 40X3.5
7	SOCKET END CONNECTOR	TU05010	TU07510	TU10010
8	NUT	100454	100455	100456

		1 1/4"	1 1/2"	2"
POS	DESCRIPTION	MODEL #	MODEL #	MODEL #
1	O-RING	E 40X3.5	N328	E331
2	BODY	100478	100479	100480A
5	1800 MICRON PP SCREEN CAGE	100326	100518	100521
6	O-RING	E 52X3.5	E332	E337
7	SOCKET END CONNECTOR	TU12510	TU15010	TU20010
8	NUT	100457	100423A	100499A

		2 1/2"	3"	4"
POS	DESCRIPTION	MODEL #	MODEL #	MODEL #
1	O-RING	E 75X6	E 90X6	E 108X6
2	BODY	140971	140972	141039
5	1800 MICRON PP SCREEN CAGE	100483	100491	100491
6	O-RING	E100X6	E 130X6	E 130X6
7	SOCKET END CONNECTOR	TU25010	TU30010	TU40010
8	NUT	100550	100288	140688



## PARTS - PVC DOUBLE UNION SPRING CHECK VALVES

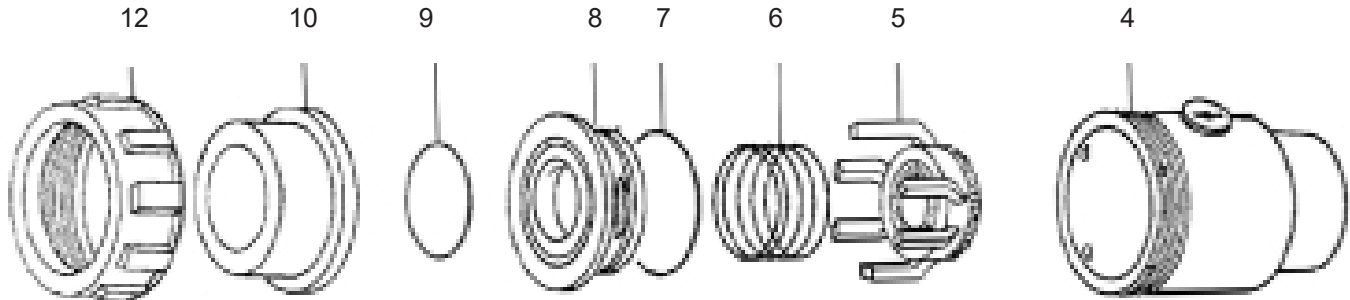


		1/2	3/4"	1"	1 1/4"
POS	DESCRIPTION	MODEL #	MODEL #	MODEL #	MODEL #
1	O-RING	E20X3	E215	E218	E223
2	BODY	3-050-2	3-075-2	3-100-2	3-125-2
3	SEAL	3-050-3	3-075-3	3-100-3	3-125-3
4	CONE	3-050-4	3-075-4	3-100-4	3-125-4
5	SPRING	3-050-5	3-075-5	3-100-5	3-125-5
6	RETAINER SPRING	3-050-6	3-075-6	3-100-6	3-125-6
7	O-RING	E217	E220	E223	E226
8	SLIP SOCKET	TU05010	TU07510	TU10010	TU12510
9	NUT	TU05012	TU07512	TU12012	TU12512

		1 1/2	2"	2 1/2"	3"
POS	DESCRIPTION	MODEL #	MODEL #	MODEL #	MODEL #
1	O-RING	E328	E331	E75X6	E90X6
2	BODY	3-150-2	3-200-2	3-250-2	3-300-2
3	SEAL	3-150-3	3-200-3	3-250-3	3-300-3
4	CONE	3-150-4	3-200-4	3-250-4	3-300-4
5	SPRING	3-150-5	3-200-5	3-250-5	3-300-5
6	RETAINER SPRING	3-150-6	3-200-6	3-250-6	3-300-6
7	O-RING	E332	E337	E100X6	E128X6
8	SLIP SOCKET	TU15010	TU20010	TU25010	TU30010
9	NUT	TU15012	TU20012	TU25012	TU30012



## PARTS - PVC SINGLE UNION CHECK VALVES



**Note:** Item (pos.) 7-12 are identical to PVC single union ball valve parts. (See pg.41) 2" spring guide same as 1½"

		1 1/2	2"
POS	DESCRIPTION	MODEL #	MODEL #
4	BODY CLEAR	CVC-150-4	CVC-200-4
4	BODY WHITE	CV-150-4	CV-200-4
5	POPPET CONE ASSEMBLY	CV-150-5	CV-200-5
6	1/4 LB. SPRING	SPR-150025	SPR-200025
6	1/2 LB. SPRING	SPR-150050	
6	2 LB. SPRING	SPR-150200	
6	3 1/2 LB. SPRING	SPR-150350	
6	5 LB. SPRING	SPR-150500	
6	10 LB. SPRING	SPR-1501000	

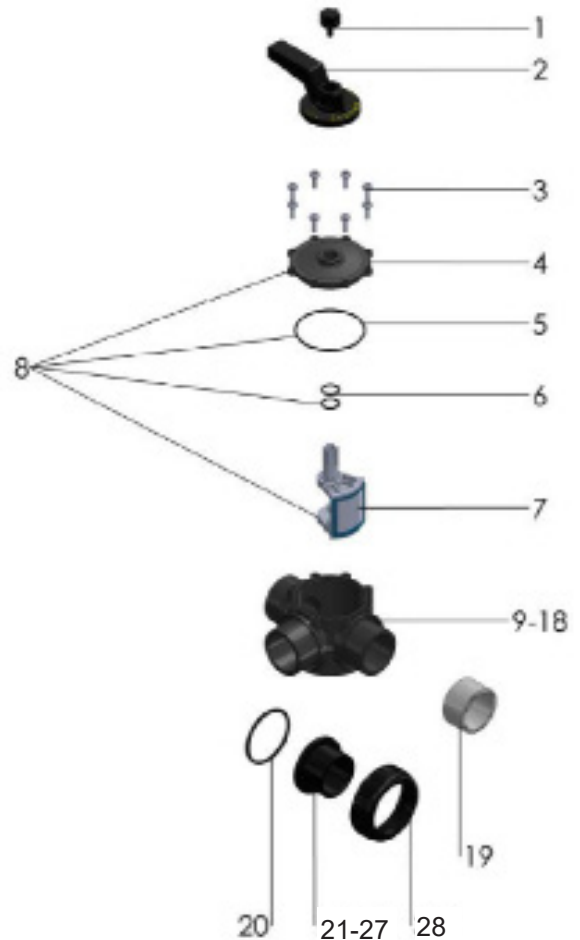
## PARTS – PVC CLEAR DOUBLE UNION CHECK VALVES

		1 1/2	2"
POS	DESCRIPTION	MODEL #	MODEL #
4	BODY	CVC-152-4	CVC-202-4
5	POPPET CONE ASSEMBLY WITH VITON	CVC-150-5V	CVC-200-5V
6	1/4 LB. SPRING TEFLON	SPR-150025TC	
6	1/2 LB. SPRING TEFLON	SPR-150050TC	
6	2 LB. SPRING TEFLON	SPR-150200TC	
6	3 1/2 LB. SPRING TEFLON	SPR-150350TC	
6	5 LB. SPRING TEFLON	SPR-150500TC	
6	10 LB. SPRING TEFLON	SPR-1501000TC	



## PARTS - DIVERTER VALVE

POS	MODEL #	DESCRIPTION
1	OV3-200-1	HANDLE KNOB (BLACK)
2	OV3-200-2	HANDLE (BLACK)
3	OV3-200-3	# 14 X 3/4" SCREW P.T.
4	OV3-200-4	COVER
5	N-151	LID O-RING
6	N-115	ROTOR O-RING
7	OV3-200-7	ROTOR ASSEMBLY
8	OV3-999	KEY HUB ASSEMBLY
9	OV3-150-8	3-WAY ROTOR VALVE BODY 1 1/2" ASTM SKT 2" SPIGOT
10	OV3-150-9	3-WAY ROTOR VALVE BODY 1 1/2" FIP 2" SPIGOT
11	OV2-200-11	2-WAY ROTOR VALVE BODY 2" ASTM 2.5" SPIGOT
12	OV2-200-12	2-WAY ROTOR VALVE BODY 90° 2" ASTM SKT 2 1/2" SPIGOT
13	OV2-200-13	2-WAY ROTOR VALVE BODY 1 1/2" ASTM SKT 2" SPIGOT
14	OV2-150-14	2-WAY ROTOR VALVE BODY 90° 1 1/2" ASTM SKT 2" SPIGOT
15	OV3-200-15	3-WAY ROTOR VALVE BODY 2" ASTM 2 1/2" SPIGOT
16	OV3-200-U	3-WAY ROTOR VALVE BODY FOR 1 1/2" OR 2" UNION
17	OV2-200-U	2-WAY ROTOR VALVE BODY FOR UNION
18	OV2-290-U	2-WAY ROTOR VALVE BODY 90° FOR UNION
19	OV3-10-RB	REDUCER BUSHING 2" X 1 1/2"
20	N-231	O-RING FOR 1 1/2" & 2" UNION
21	SU-150-10G	1 1/2" Union Socket (Grey)
22	SU-150-10B	1 1/2" SOCKET END BLACK (SU)
23	SU-150-11MT	MALE THREADED END CONNECTOR 1 1/2" (WHITE)
24	SU-175-11MT	MALE THREADED END CONNECTOR 2" (GREY)
25	SU-175-11MH	2" BLACK MIP END CONNECTOR
26	SU-150-11MH	1 1/2" BLACK MIP END CONNECTOR
27	U-200-3SB	2" SOCKET END BLACK (UNION)
28	SU-150-12B	UNION NUT (BLACK) FOR 1 1/2" & 2" VALVE



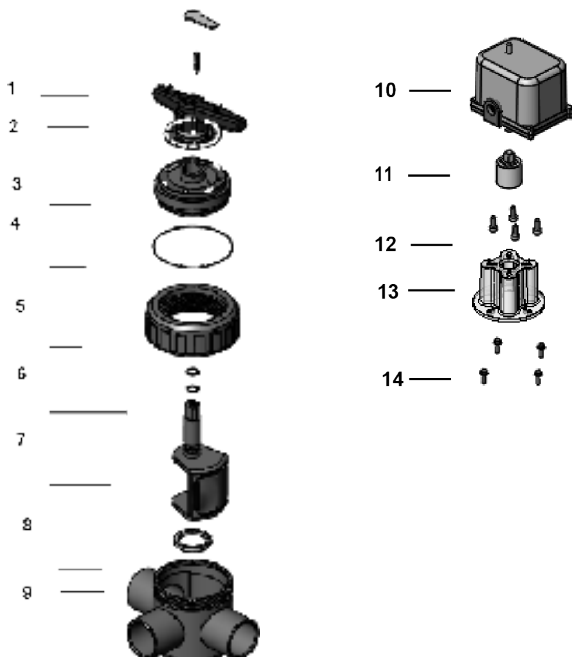


## PARTS – FLAPPER CHECK VALVE



POS	MODEL #	DESCRIPTION
1	OV3-200-3	#14 x 3/4" SCREW P.T.
2	FCV-200-1	FLAPPER CHECK VALVE TOP ASSEMBLY
3	N-151	LID O-RING
4	FCV-2BDY	2" CPVC BODY FOR CHECK VALVE
5	FCV-15BDY	1 1/2" CPVC BODY FOR CHECK VALVE
6	FCV-2BDYU	2" CPVC BODY FOR CHECK VALVE UNIONIZED
7	FCV-15BDYU	1 1/2" CPVC BODY FOR CHECK VALVE UNIONIZED
8	FCV-2090BDY	2" CPVC 90° BODY FOR CHECK VALVE
9	FCV-1590BDY	1 1/2" CPVPC 90°BOFY FOR CHECK VALVE
10	N-231	O-RING FOR UNION
11	U-200-3SB	2" UNION SOCKET
12	SU-150-11MT	MALE THREADED END CONNECTOR 1 1/2" (WHITE)
13	SU-175-11MT	MALE THREADED END CONNECTOR 2" (GREY)
14	SU-175-MH	2" BLACK MIP HIGH HEAT END CONNECTOR
15	SU-150-11MH	1 1/2" BLACK MIP HIGH HEAT END CONNECTOR
16	SU-150-10B	1 1/2" SOCKET END BLACK (SU)
17	U-200-3SB	2" SOCKET END BLACK (UNION)
18	SU-150-12B	1 1/2" UNION NUT (BLACK)
19	SU-150-12	1 1/2" UNION NUT (WHITE)
20	SU-150-12	2" UNION NUT

## PARTS - BIG KAHUNA 3" PVC, 3 PORT ROTARY DIVERTER VALVE

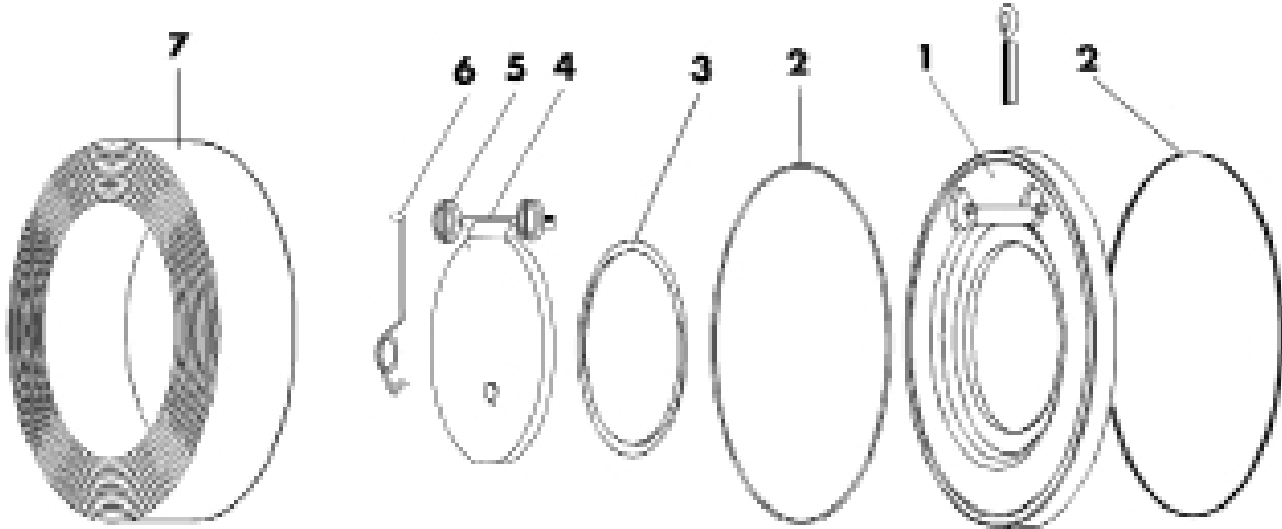


POS	DESCRIPTION	QTY.	MODEL #
1	VALVE HANDLE ABS RED 3"	1	124693
2	POSITION INDICATOR WITH LABEL	1	OV3-3003
3	VALVE COVER PVC WITH LABEL	1	OV3-3007
4	O-RING #251 FOR COVER	1	E-251
5	4" PVC BALL VALVE NUT	1	TU40012
6	O-RING #215 FOR ROTOR SHAFT	2	E-215
7	3" VALVE ROTOR WITH GASKET	1	OV3-3010
8	BUSHING WHITE POM	1	OV3-3009
9	OV3 PVC BODY ASTM 2.5" SLIP x 3" SPIGOT	1	OV3-3001
10	ELECTRIC ACTUATOR 24-240 VDC/VAC	1	J-485S
11	ACTUATOR SHAFT COUPLING	1	OV3-30012
12	BELL HOUSING TO ACTUATOR SCREWS M8x16 SS	4	M8x16mm
13	BELL HOUSING CLEAR	1	OV3-30011
14	BELL HOUSING TO COVER SCREWS	4	14B75IWBS





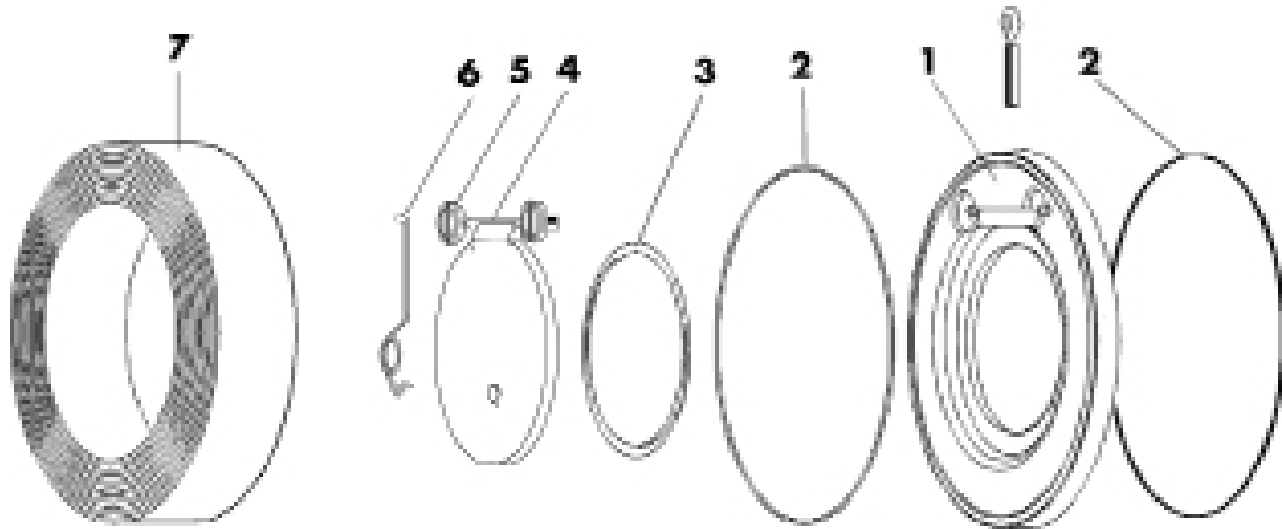
## PARTS - PVC, PP & PVDF S4 WAFER CHECK VALVES



		2"	2 1/2"	3"
POS	DESCRIPTION	MODEL #	MODEL #	MODEL #
1	BODY-PP	461-20-1	461-25-1	461-30-1
1	BODY-PVDF	462-20-1	462-25-1	462-30-1
2	O-RING EPDM	E235	E241	E245
2	O-RING VITON	V235	V241	V245
2	O-RING VITON/TEFLON	VT235	VT241	VT245
3	O-RING EPDM	E220	E327	E331
3	O-RING VITON	V220	V327	V331
3	O-RING VITON/TEFLON	VT220	VT327	VT331
4	DISC-PP	461-20-4	461-25-4	461-30-4
4	DISC-PVDF	462-20-4	462-25-4	462-30-4
5	SCREW-PP	461-20-5	461-25-5	461-30-5
6	SPRING STAINLESS ST.	460-20-6	460-25-6	460-30-6
6.1	SPRING HASTELLOY	460-20-6.1	460-25-6.1	460-30-6.1
7	SPACER PVC	3-20-7	3-25-7	3-30-7
7	SPACER-PP	4-20-7	4-25-7	4-30-7



## PARTS - PVC, PP & PVDF S4 WAFER CHECK VALVES



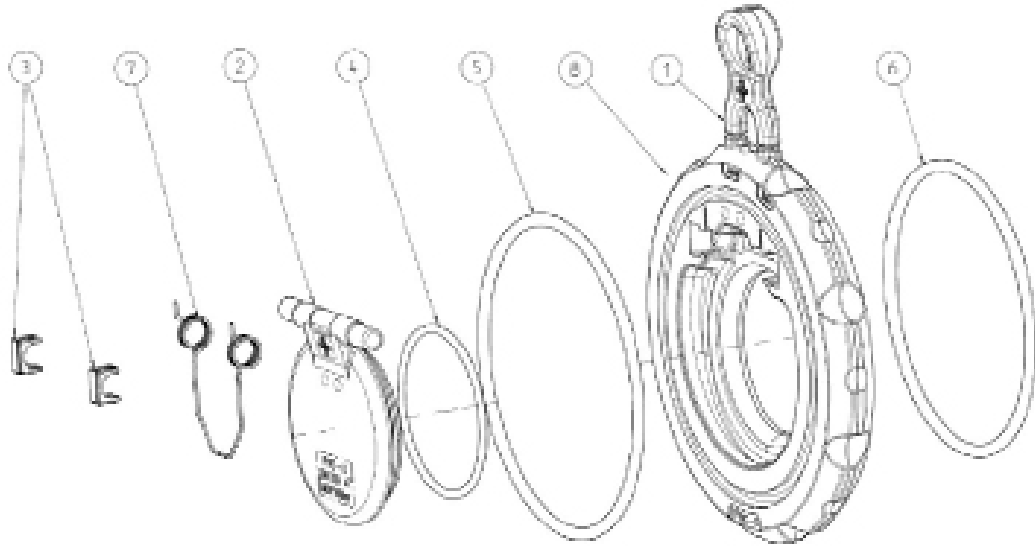
		4"	6"	8"	10"	12"
POS	DESCRIPTION	MODEL #	MODEL #	MODEL #	MODEL #	MODEL #
1	BODY PVC				460-100-1	460-120-1
1	BODY-PP	461-40-1	461-60-1	461-80-1	461-100-1	461-120-1
1	BODY-PVDF	462-40-1	462-60-1	462-80-1	462-100-1	462-120-1
2	O-RING EPDM	E254	E264	E273	E278	E280
2	O-RING VITON	V254	V264	V273	V278	V280
2	RING VITON/TEFLON	VT254	VT264	VT273	VT278	VT280
3	O-RING EPDM	E336	E425	E437	E195X8	E230X8
3	O-RING VITON	V336	V425	V437	V195X8	V230X8
3	RING VITON/TEFLON	VT336	VT425	VT437	VT195X8	VT230X8
4	DISC-PVC				460-100-4	460-120-4
4	DISC-PP	461-40-4	461-60-04	461-80-4	461-100-4	461-120-4
4	DISC-PVDF	462-40-4	462-60-4	462-80-4	462-100-4	462-120-4
5	SCREW-PP	461-40-5	461-60-5	461-80-5	461-100-5	461-120-5
6	S.S. SPRING	460-40-6	460-60-6	460-80-6	460-100-6	460-120-6
6.1	SPRING HASTELLOY	460-40-6.1	460-60-6.1	460-80-6.1	460-100-6.1	460-120-6.1
7	SPACER PVC	3-40-7	3-60-7	3-80-7	3-100-7	3-120-7
7	SPACER-PP	4-40-7	4-60-7	4-80-7	4-100-7	4-120-7



## PARTS – K6 PVC WAFER CHECK VALVE

### Parts List/Diagram

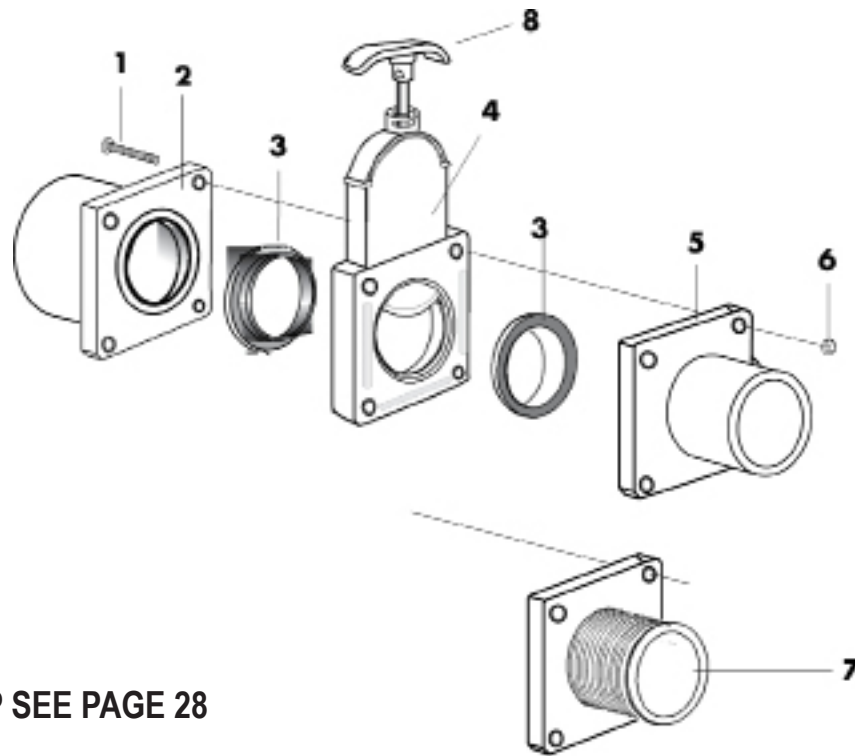
1. Body
2. Flapper
3. Flapper clip
4. Flapper O-Ring
5. Body O-Ring, front
6. Body O-Ring, back
7. SS Spring
8. Label



	#2, 3, 4, 5, 6 EPDM SEALS + FLAPPER + CLIPS	#2, 3, 4, 5, 6 VITON SEALS + FLAPPER +CLIPS	#4, 5 & 6 EPDM O-RING KIT	#4, 5 & 6 VITON O-RING KIT	#7 & 8 - STAINLESS STEEL SPRING KIT (SS SPRING + LABEL)
SIZE	PART #	PART #	PART #	PART #	PART #
1-1/2"	142306A	142488	142282	142290	142298
2"	142307A	142489	142283	142291	142299
2-1/2"	142308A	142490	142284	142292	142300
3"	142309A	142491	142285	142293	142301
4"	142310A	142492	142286	142294	142302
5"	142311A	142493	142287	142295	142303
6"	142312A	142494	142288	142296	142304
8"	142313A	142495	142289	142297	142305
10"	142487A	142496	142564	142563	142565
12"	142434A	142497	142435	142436	142433
14"	142671	142672			



## PARTS - PVC GATE VALVES

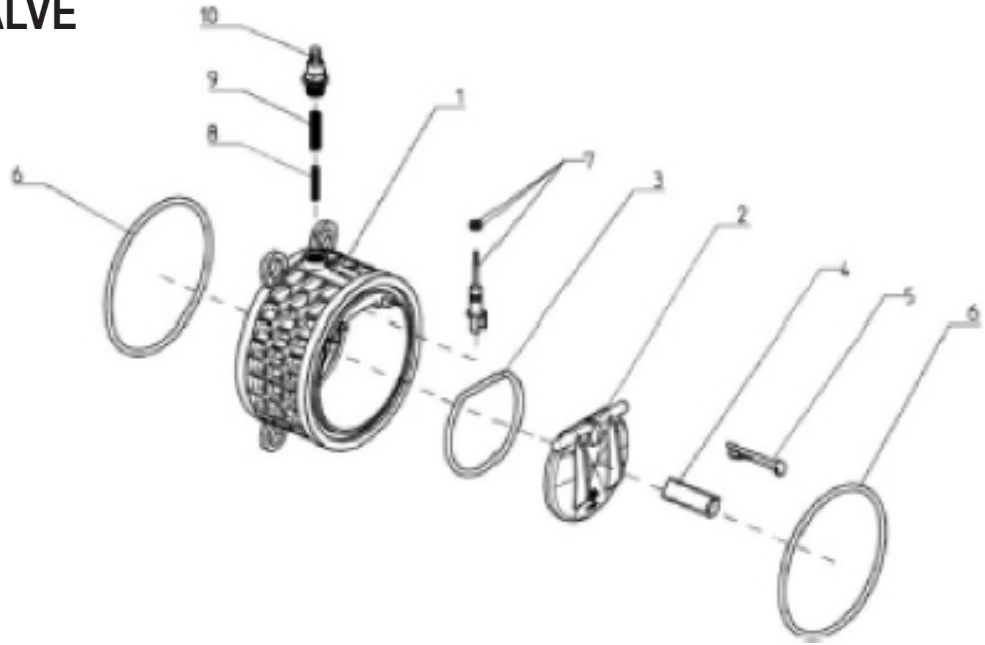


**NOTE: 150-CLP SEE PAGE 28**

		1 1/2"	2"	2 1/2"	3"	4"
POS.	DESCRIPTION	MODEL #	MODEL #	MODEL #	MODEL #	MODEL #
1	BOLT (SET OF 4)	150-G1	150-G1	250-G1	-	-
1.1	SELF TAPING SCREW	-	-	-	300-G1.1	300-G1.1
1	BOLT 5/16" X2	-	-	-	300-G1	300-G1
2	PVC-SOCKET END	150-G2	200-G2	250-G2	-	-
2	PVC-SOCKET END-ASTM	-	-	-	300-G2	400-G2
2.1	PVC-SOCKET END-METRIC	-	-	-	300-G2.1	400-G2.1
3	GASKET (SET OF 2)	150-G3	200-G3	200-G3	-	-
3	T.P.E. GASKET	-	-	-	300-G3	300-G3
4	BODY ASSEMBLY	150-BA	200-BA	250-BA	-	-
4	BODY ASSEMBLY INC. HANDLE	-	-	-	300-G4	300-G4
5	SPIGOT END PVC	150-G5	200-G5	250-G5	N/A	N/A
6	LOCKNUT (SET OF 4)	150-G6	150-GS	250-G6	-	-
6	5/16" S.S. HEXNUT	-	-	-	300-G6	300-G6
7	MPT-END PVC	150-G8	N/A	N/A	N/A	N/A
8	VALVE HANDLE ABS	150-G9	200-G9	250-G9	-	-
9	VALVE HANDLE	-	-	-	300-G9	300-G9



# PARTS K4 SWING CHECK VALVE WITH SPRING



	#1 - BODY (PVC)	#2 - FLAPPER (PVC)	#3 - FLAPPER EPDM O-RING	#3 - FLAPPER VITON O-RING	#4 & 5 - FLAPPER WITH EPDM O-RING & LEFT & RIGHT POST	#4 & 5 - FLAPPER WITH VITON O-RING & LEFT & RIGHT POST
SIZE	PART #	PART #	PART #	PART #	PART #	PART #
3"	141707	141708	330-EP60	330-VP60	141752	141749
4"	141713	141714	337-EP60	337-VP60	141752	141749
6"	141719	141720	425-EP60	425-VP60	141753	141750
8"	141731	141726	438-EP60	438-VP60	141753	141750
10"	141737	141732	50859	50869	141754	141751

	#6 - EPDM BODY O-RING (2 REQUIRED)	#6 - VITON BODY O-RING (2 REQUIRED)
SIZE	PART #	PART #
3"	Q-346EP60	Q-346VP60
4"	Q-354EP60	Q-354VP60
6"	Q-441EP60	Q-441VP60
8"	Q-233X7EP60	Q-233X7VP60
10"	Q-291X7EP60	Q-291X7VP60

	#7 - 10 - INDICATOR PIN WITH EPDM O-RING, SMALL & LARGE SPRINGS, INDICATOR COVER	#7 - 10 - INDICATOR PIN WITH VITON O-RING, SMALL & LARGE SPRINGS, INDICATOR COVER
SIZE	PART #	PART #
3"	142423	142422
4"	142423	142422
6"	141747	141744
8"	141747	141744
10"	141748	141745



## PARTS - ABS SIDE MOUNT MULTIPOINT VALVES

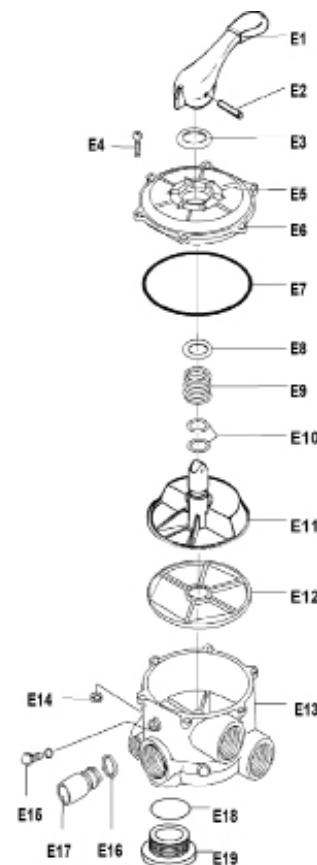
PO	DESCRIPTION	VALVE	MODEL #
E1	HANDLE ABS BLACK	1 1/2" & 2"	E-1-S1
E1	HANDLE ABS BLACK	3"	E-1-S3
E2	PIN (SS 304)	1 1/2" & 2"	E-2-S1
E2	PIN (SS 304)	3"	E-2-S3
E3	WASHER (P.O.M)	1 1/2" & 2"	E-3-S1
E3	WASHER (P.O.M)	3"	E-3-S3
E4	SCREW M6 (SS 304)	1 1/2", 2" & 3"	E-4-S1
E5	DECAL (ALU-FOILED)	1 1/2"	E-5-S1
E5	DECAL (ALU-FOILED)	2"	E-5-S2
E5	DECAL (ALU-FOILED)	3"	E-5-S3
E6	COVER ABS (WHITE)	1 1/2"	E-6-S1
E6	COVER ABS (BLACK)	1 1/2"	E-6-S1B
E6	COVER ABS (WHITE)	2"	E-6-S2
E6	COVER ABS (BLACK)	2"	E-6-S2B
E6	COVER ABS (WHITE)	3"	E-6-S3
E6	COVER ABS (BLACK) #141920	3"	E-6-S3B
E6	HIGH PRESSURE COVER (BEIGE)	3"	141340
E6	*COVER ABS (WHITE) ** NEW PART AS OF JANUARY1, 2002	3"	140-561*

PO	DESCRIPTION	VALVE	MODEL #
E7	O-RING-COVER, #252	1 1/2"	E-7-S1
E7	O-RING-COVER, #172X4	2"	E-7-S2
E7	O-RING-COVER, #250X6	3"	E-7-S3
E8	WASHER (P.O.M)	1 1/2" & 2"	E-8-S1
E8	WASHER (P.O.M)	3"	E-8-S3
E9	SPRING (SS 304)	1 1/2" & 2"	E-9-S1
E9	SPRING (SS 304)	3"	E-9-S3
E10	O-RING DIVERTER #212	1 1/2" & 2"	E-10-S1
E10	O-RING DIVERTER #215	3"	E-10-S3
E11	DIVERTER (NORYL)	1 1/2"	E-11-S1
E11	DIVERTER (NORYL)	2"	E-11-S2
E11	DIVERTER (NORYL)	3"	E-11-S3
E11	*DIVERTER WITH GASKET MOLDED ** NEW PART AS OF JANUARY1, 2002	3"	141-341*

PO	DESCRIPTION	VALVE	MODEL #
E12	SPIDER GASKET (T.P.E)	1 1/2"	E-12-S1
E12	SPIDER GASKET (T.P.E)	2"	E-12-S2
E12	SPIDER GASKET (T.P.E) 5 spoke old style	3"	E-12-S3
E12	SPIDER GASKET (50054A) 4 spoke new style	3"	E-12B-S3
E13	VALVE BODY 1 1/2" N.P.T, SM-10-AO	1 1/2"	E-13-S1
E13	VALVE BODY 2" N.P.T, SM-20-AO	2"	E-13-S2
E13	VALVE BODY 2" N.P.T, SM-20-AO	2"	E-13-S2B
E13	VALVE BODY 3" SKT, SM-30-AO (WHITE) <i>discontinued</i>	3"	E-13-S3
E14	NUT M6 (SS 304)	1 1/2", 2" & 3"	E-14-S1
E15	1/4" PLUG (ABS) WHITE	1 1/2" & 2"	E-15-S1
E16	SIGHT GLASS GASKET	1 1/2" & 2"	E-16-S1
E17	SIGHT GLASS (LEXAN)	1 1/2" & 2"	E-17-S1

\*THOSE ITEMS ARE REQUIRED FOR SERVICING VALVES MANUFACTURED AFTER JANUARY 1, 2002

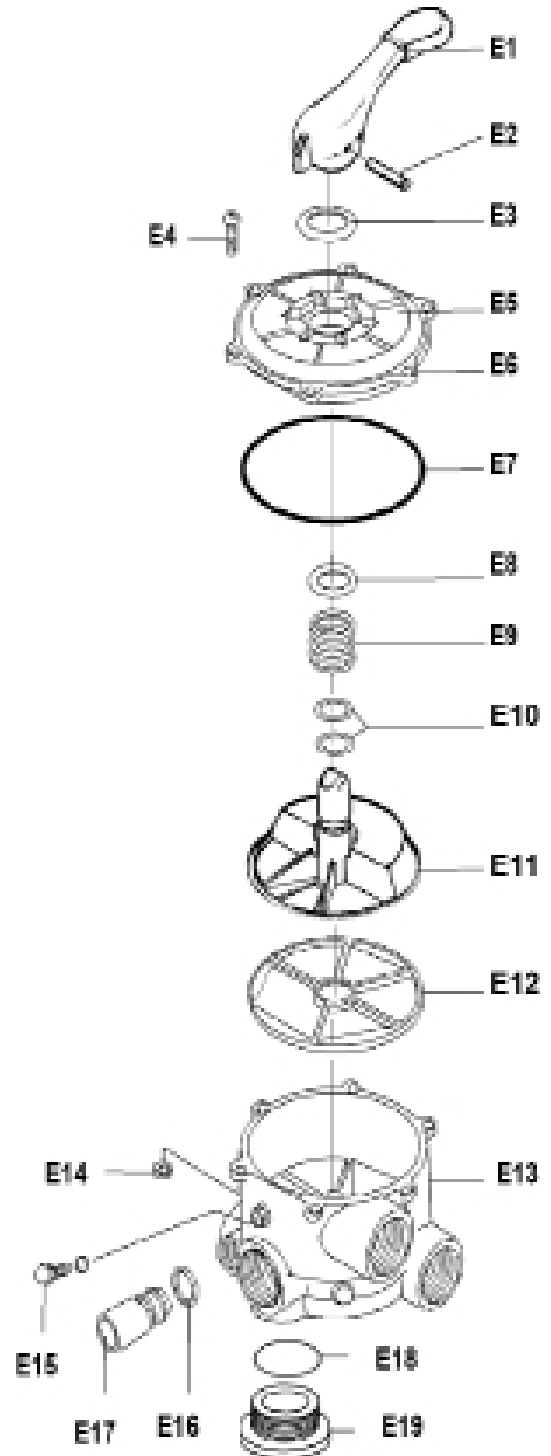
Spider gasket replacement for Multiport Backwash Valves-see page 59 for instructions





## PARTS - ABS SIDE MOUNT CONTINUED

PO	DESCRIPTION	VALVE	MODEL #
E18	O-RING-AO. PLUG THREADED	1 1/2"	E-18-S1
E18	O-RING-AO. PLUG THREADED	2"	E-18-S2
E19	A.O PLUG 1 1/2" MPT-WHITE	1 1/2"	E-19-S1
E19	A.O PLUG 2" MPT-WHITE	2"	E-19-S2
E19	A.O PLUG 2" MPT-BLACK	2"	E-19-S2B
E19	A.O PLUG 2" SPIGOT-BLACK	2"	E-19-S2SB
E19	A.O PLUG 3" SPIGOT-WHITE	3"	E-19-S3
E19	A.O PLUG 3" SPIGOT-BLACK	3"	E-19-S3B
E50	KEY HUB ASSEMBLY (POS. E1-E11) WHITE	1 1/2"	E-50-S1
E50	KEY HUB ASSEMBLY (POS. E1-E11) WHITE	2"	E-50-S2
E50	KEY HUB ASSEMBLY (POS. E1-E11) WHITE OLD STYLE - W/O GASKET <i>discontinued</i>	3"	E-50-S3
E50	*KEY HUB ASSEMBLY (POS. E1-E12) BLACK NEW STYLE - WITH GASKET	3"	E-50-S3B*
E50	*KEY HUB ASSEMBLY (POS. E1-E12) WHITE NEW STYLE - WITH GASKET	3"	130711*
E50	KEY HUB ASSEMBLY (POS. E1-E11) BLACK	1 1/2"	E-50-S1B
E50	KEY HUB ASSEMBLY for TM-12-JL7 and TM-12-CFC	1 1/2"	E-50-S1BJL
E50	KEY HUB ASSEMBLY (POS. E1-E11) BLACK	2"	E-50-S2B
E55	BODY ASSEMBLY (#12-#19) SM-10AO-WHITE	1 1/2"	E-55-S1
E55	BODY ASSEMBLY (#12-#19) SM-20AO-WHITE	2"	E-55-S2
E55	BODY ASSEMBLY (#12-#19) SM-20AO-BLACK	2"	E-55-S2B
E55	BODY ASSEMBLY, SM1-HP3, WHITE	1 1/2"	E-55-S1HP3
E55	BODY ASSEMBLY, SM1-HP2, WHITE	1 1/2"	E-55-S1HP2
E55	BODY ASSEMBLY, SM1-PP3, WHITE	1 1/2"	E-55-S1PP3
E55	BODY ASSEMBLY, SM1-PP2, WHITE	1 1/2"	E-55-S1PP2
E55	BODY ASSEMBLY, SM2-PP3, WHITE	2"	E-55-S2PP3
E55	BODY ASSEMBLY, SM2-PP2, WHITE	2"	E-55-S2PP2
E55	BODY ASSEMBLY, SM2-SR2, BLACK OLD STYLE	2"	E-55-SR2
E55	BODY ASSEMBLY, 3" ABS WHT, SKT <i>discontinued</i>	3"	100304
E55	BODY ASSEMBLY, 3" ABS BLACK, SKT * NEW PART AS OF JANUARY1, 2002	3"	102192



\*THOSE ITEMS ARE REQUIRED FOR SERVICING VALVES MANUFACTURED AFTER JANUARY 1, 2002 (E-1E-12) ALL 1 1/2" AND 2" E-55 B O D Y ASSEMBLIES ARE FIP PORTS!

**Spider gasket replacement for Multiport Backwash Valves**  
-see page 59 for instructions



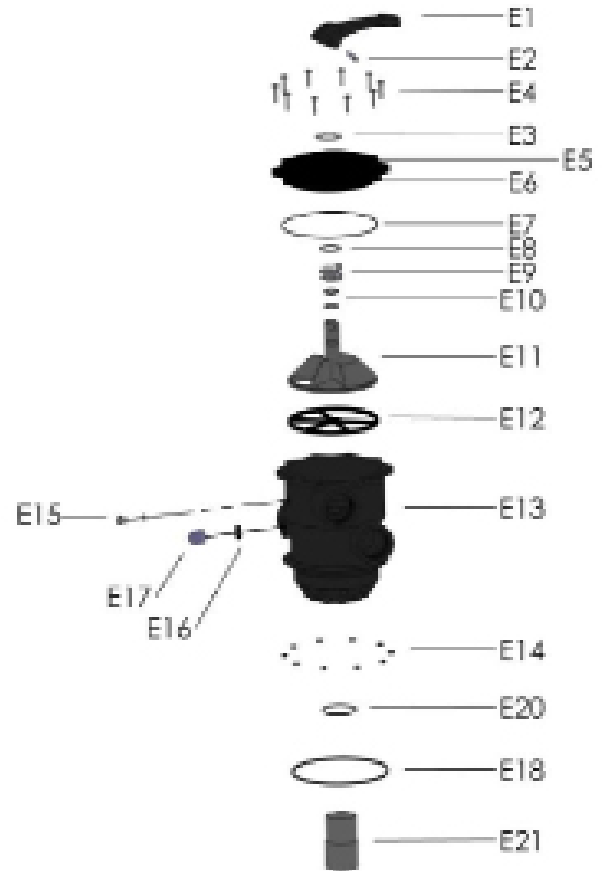
# PARTS - ABS TOP MOUNT VALVES

**NOTE:**

Please refer to parts list for side mounted valves for the following parts

- E-1 through E4
- E-6 through E12
- E-14 through E17
- E-50

PO	DESCRIPTION	VALVE	MODEL #
E5	DECAL ALU-FOILED	1 1/2"	E5-T1
E5	DECAL ALU-FOILED	2"	E5-T2
E13	BODY	1 1/2", 2"	SEE BELOW
E18	#1744 (1/4" THICK) SQUARE FLANGE GASKET FOR TM-12-E, TM-22-E	1 1/2", 2"	E-18-T1744
E18	O-RING #442 FOR TM-12-L, 22-L, TM-12-H8	1 1/2", 2"	E-18-442
E18	O-RING #146 FOR TM-12-A, TM-12-B	1 1/2"	E-18-146
E18	FLANGE O-RING #363 FOR TM-22-PB	1 1/2" & 2"	E-18-363
E18	FLANGE O-RING #365 FOR TM-22-H8	1 1/2" & 2"	E-18-365
E20	O-RING #225 FOR 1 1/2" STANDPIPE	1 1/2"	E-20-T1
E20	O-RING #229 FOR 2" STANDPIPE	2"	E-20-T2
E21	PIPE EXTENSION FOR TM-22-H8	2"	T22H8
E55	BODY ASSEMBLY TM-12-A WHITE	1 1/2"	E55-T12A
E55	BODY ASSEMBLY TM-12-B BLACK	1 1/2"	E55-T12B
E55	BODY ASSEMBLY TM-12-E BLACK	1 1/2"	E55-T12E
E55	BODY ASSEMBLY TM-12-S BLACK	1 1/2"	E55-T12S
E55	BODY ASSEMBLY TM-12-S8 BLACK	1 1/2"	E55-T12S8
E55	BODY ASSEMBLY TM-12-H BLACK	1 1/2"	E55-T12H8
E55	BODY ASSEMBLY TM-12-L BLACK	1 1/2"	E55-T12L
E55	BODY ASSEMBLY TM-12-PB BLACK	1 1/2"	E55-T12PB
E55	BODY ASSEMBLY TM-12-BH9 BLACK	1 1/2"	E55-T12BH9
E55	BODY ASSEMBLY TM-12-CFC	1 1/2"	E55-T12CFC
E55	BODY ASSEMBLY TM-22-L	2"	E55-T22L
E55	BODY ASSEMBLY TM-22-JAC	2"	E55-T22JAC
E55	BODY ASSEMBLY TM-22-PB	2"	E55-T22PB
E55	BODY ASSEMBLY TM-22-E	2"	E55-T22E
E55	BODY ASSEMBLY TM-22-PA	2"	E55-T22PA



**Spider gasket replacement for Multiport Backwash Valves**

- see page 59 for instructions





## FREQUENTLY ASKED QUESTIONS

### Spider gasket replacement for Multiport Backwash Valves

1. Stop pump and release all pressure from system.
2. Place the selector handle at the “winterize” position (this lifts the plug off the seat).
3. Remove the bolts and nuts holding the cover to the valve body.  
Remove the cover assembly.
4. Remove the old gasket from the valve body.
5. Make sure that the gasket groove is free of water, grease, oils, debris and parts of the old gasket. Use alcohol to degrease.
6. NOTICE: Once this step is started, continue through Step 10 without interruption.  
Using Loctite® 401, 403 and 416 apply glue sparingly (a bead about 1/16” wide) to the bottom only (not the sides) of the spider groove in the valve body. The glue lines must be continuous and intersect at the intersections of the grooves.
7. Insert the new gasket into the groove with the rounded bead up. Press the gasket firmly into all groove areas to seat the new gasket evenly.
8. Align the tab on the cover assembly with pin on the valve body, fastening it with the bolts and nuts removed in Step 3. Tighten all bolts evenly.
9. Depress the valve handle and rotate it to the closest standard position (FILTER or RINSE), being careful not to rub the plug on the new gasket. Release the handle, allowing the plug to hold the gasket in place while curing.
10. Minimum cure time is 2 hours. Curing for 24 hours is recommended for full strength.



## PIPE CLAMPS - PP

### GENERAL:

- Body materials: PP - Polypropylene
- (High impact copolymer), grey only
- UV inhibitor added.

### PIPE HANGER SPACING:

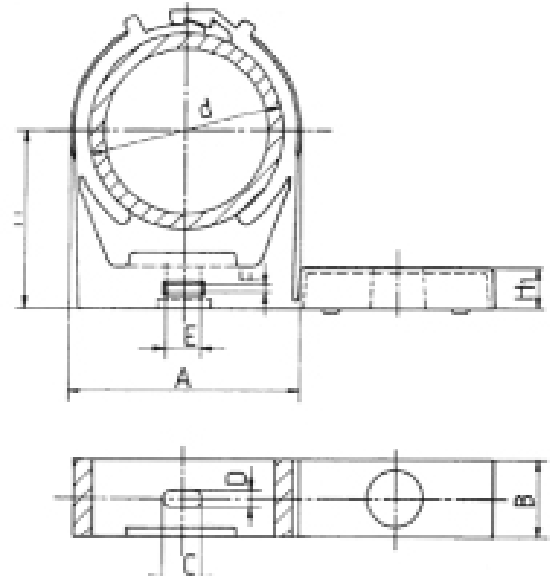
The recommended pipe hanger spacing relates to the maximum pipe sag of 2.5mm (0.098") between two pipe hangers and a liquid with a density of 1 g/cm<sup>3</sup>.

### FEATURES:

- Self-locking.
- Fits metric and imperial plastic pipe.
- Corrosion resistant.

### PIPE HANGER SPACING FOR HORIZONTAL PIPING:

PVC -Pipes SCH40/SCH80



PIPE SIZE INCH	d mm	20°C	30°C	40°C	50°C	60°C
3/8"	16	80	70	50	Continuous	
1/2"	20	90	80	60	Support	
3/4"	25	95	85	65	55	40
1"	32	105	90	70	60	45
1 1/4"	40	120	110	90	70	55
1 1/2"	50	140	130	110	85	65
2"	63	150	140	120	95	70
2 1/2"	75	165	155	135	110	80
3"	90	180	170	150	125	95

Dimensions in mm

### PIPE HANGER DIMENSIONS:

d	mm	16-19	20-23	25-28	31-35	39-43	47-51	60-65	72-80	87-95
		inches	3/8"	1/2"	3/4"	1"	1 1/4"	1 1/2"	2"	2 1/2"
H	mm	25	27	30	30	37	40	50	70	80
H1	mm	8	8	8	8	8	10	10	18	18
A	mm	25	29	34	39	50	56	70	85	100
B	mm	14	14	16	16	18	20	24	26	26
C	mm	8	8	8	8	8	8	8	9	9
D	mm	4.3	4.3	4.3	4.3	4.3	4.3	4.3	6.5	6.5
E	mm	11	11	11	11	11	11	11	11	11
F	mm	3.5	3.5	3.5	3.5	3.5	3.5	3.5	3.5	3.5
weight	kg	0.005	0.006	0.008	0.010	0.015	0.022	0.032	0.062	0.075

Subject to technical modification.



## S6 BALL VALVE - 2-WAY - TRUE UNION PVC

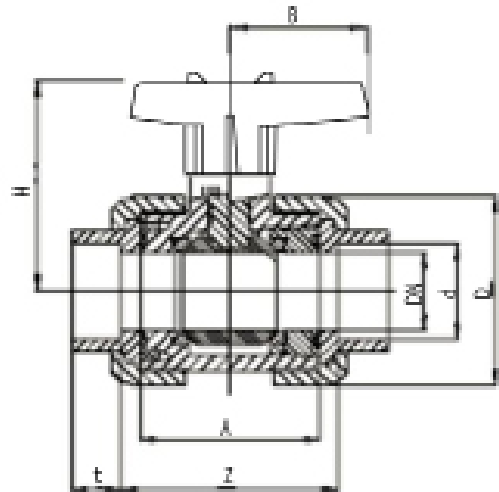
Materials:	PVC (grey) - Type 1, grade 1
Ball seats:	PTFE (Te_on) or HDPE (High density polyethylene)
O-rings:	EPDM ( NSF/ANSI 61) or FPM (Viton)
Handle:	ABS
End connections:	SOCKET or FNPT (threaded) SCH80
Pressure rating:	at 22° C : 232 PSI (1/2" - 2"), 146 PSI (2.5" - 3"), 90 PSI (4")



### SAMPLE SPECIFICATIONS:

S6 series ball valves shall be of True union design with multi-directional blocking capability. The valve handle shall be used as a tool to remove or adjust the valve seat carrier. The valve stem shall be of blow out design and equipped with two O-rings.

A "floating" ball-stem engagement design shall increase seating pressure between ball and ball seats in closed position. All valves shall have max. pressure ratings and series identification molded in exterior wall of body. Valves shall be produced in ISO 9001-2000 certified facility and meet design criteria for thermoplastic PVC valves per DIN 3441 -T1. O-rings shall be EPDM or VITON and meet NSF61 criteria. PVC shall be in conformance with NSF/ANSI 61 and meet ASTM D1764-Cell - Class 12454.



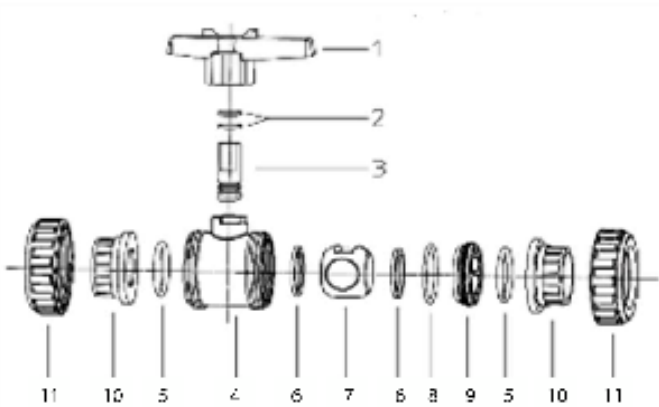
### FEATURES:

- Handle can be used as tool to adjust threaded seal carrier.
- Double stem O-ring
- Available with both threaded and socket ends up to 2"
- Manufactured in ISO 9001 -2000 facility.

d	mm	16	20	25	32	40	50	63	75	90
G	inches	3/8	1/2	3/4	1	1 1/4	1 1/2	2	2 1/2	3
A	inches	1.77	1.77	1.97	2.0	2.36	3.07	3.46	5.35	6.42
Z	inches	1.89	1.89	2.13	2.24	2.76	3.19	3.78	5.83	7.24
T	inches	0.65	0.65	0.77	0.89	1.04	1.24	1.52	1.75	2.15
D	inches	2.2	2.2	2.4	2.76	3.35	3.98	4.53	5.91	7.4
H	inches	1.89	1.89	1.97	2.26	3.07	3.62	3.94	5	6.3
B	inches	1.67	1.67	2.16	2.16	2.56	2.95	2.95	4.37	5.24
weight	lbs	0.31	0.31	0.48	0.62	1.15	1.59	2.31	6.21	11.87
Cv value	GPM	5	12	24	48	66	110	190	366	518



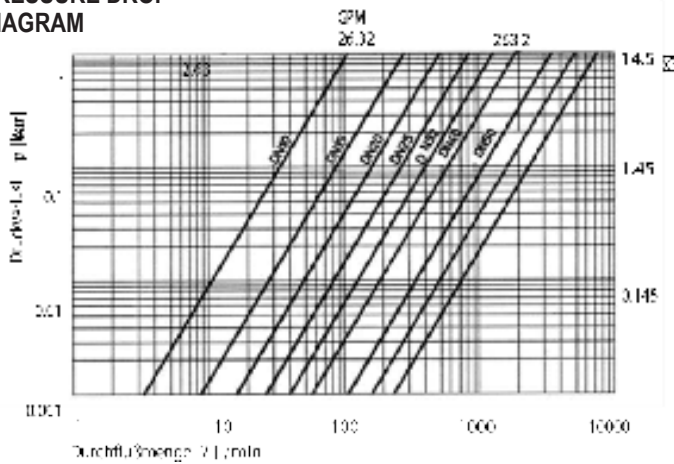
# S6 BALL VALVE - 2-WAY - TRUE UNION PVC



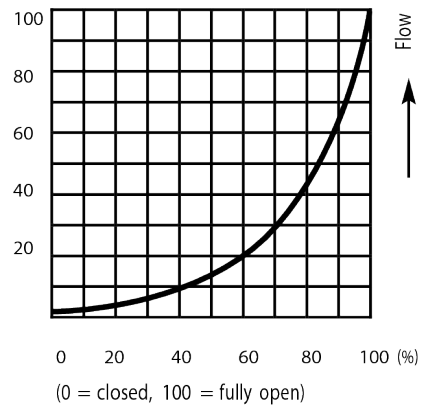
**Parts:**

- 01. Handle
- 02. Stem O-Ring
- 03. Valve stem
- 04. Body
- 05. O-Ring
- 06. Ball seat
- 07. Ball
- 08. O-Ring
- 09. Seat carrier
- 10. End connections
- 11. Nut

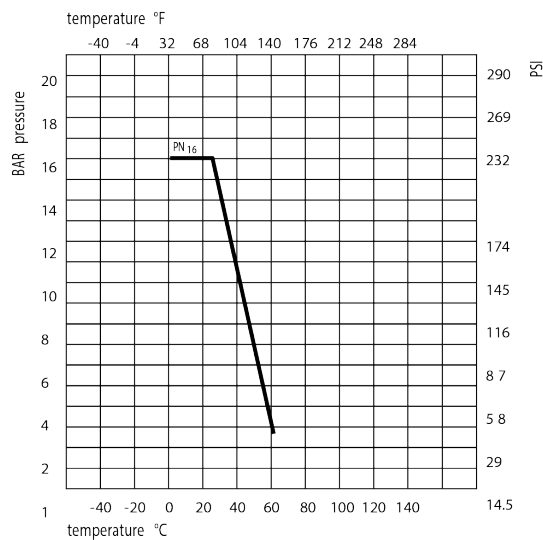
**PRESSURE DROP  
DIAGRAM**



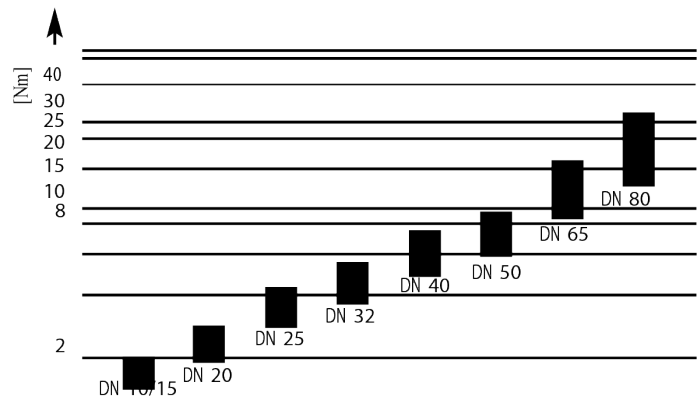
**FACTOR CHARACTERISTICS.**



**PRESSURE -TEMPERATURE DIAGRAM**



**TORQUE**





## TERMS AND CONDITIONS OF SALE

### PRICES:

All prices shown are list prices, effective January 1, 2025 and are subject to change without notice. These prices do not constitute an offer to sell. All are based on standard packaging and do not include special overseas packaging or other requirements.

### PLACING ORDERS:

To expedite handling of your order; please use the combination of part number, size and brief description. Our minimum order is \$150.00 net 15% surcharge on "less than qty." per carton orders. Praher reserves the right to cancel any back order that is less than 10% of the original ordered quantity.

### OVER / UNDER SHIPPED QUANTITY:

Praher reserves the right to over ship or under ship quantities by 10%.

### SHIPPING:

All shipments are F.O.B shipping point except those qualified for freight allowances. The term F.O.B. shipping point means the carrier accepts all responsibility upon accepting the shipment at our dock. Therefore, any claims for damage or loss must be settled between you and the carrier.

### DELIVERY TIMES DELAYS

The estimated shipping date is based on plant production schedule at the date of the quotation. Seller shall use reasonable commercial efforts to deliver the goods within the time agreed but, unless otherwise specifically agreed to in writing, shall in no circumstance be liable for any loss or damage, consequential or otherwise, caused directly or indirectly, by any delay in delivery. Under no circumstances will the Seller be liable for delay or failure in performance due to fires, floods, strikes or other differences with workmen, accidents, labour or material or transportation shortages, war (declared or undeclared), acts of terrorism, riot, governmental orders or regulations, legal interferences or prohibitions, defaults on the part of suppliers, or other causes beyond the Seller's reasonable control.

### BILLING TERMS:

Prior credit approval and nondelinquent status are necessary before shipping on an open account. Our open account terms are net 30 days. A 2% per month (24% per annum) charge is made on accounts exceeding 30 days. All taxes required by law are computed and added to your invoice.

### EXPORT SHIPPING:

PRAHER will be happy to handle your export order. The terms are a letter of credit drawn on a Canadian bank. Our prices into the U.S. include freight allowance -shipping ground, with duty and brokerage fees prepaid.

### CLAIMS AND RETURNS:

Claims for shortages or inaccurate filling of orders must be made to PRAHER within 10 days after receipt of goods. Praher will not reimburse returned product with cash or cheques. Credits will be issued and a 15% restock charge may apply.

### INFORMATION TO BUYER:

PRAHER will endeavor to furnish such advice as it may be able to supply with reference to the use by buyer of any materials purchased, but PRAHER makes no guarantees and assumes no obligation or liability for the advice given verbally or in the use of any material, whether used simply or in combination with other products. No suggestion for product use shall be construed as a recommendation for its use in infringement on any existing patent.

### PRODUCT WARRANTY:

All products not manufactured by PRAHER carrying the original manufacturer's warranty. All products manufactured by PRAHER will be free of defects in material and workmanship for a period of one year from shipment from PRAHER. If found to be defective by us, we will repair or replace the nonconforming parts or goods at our option or return the purchase price at our option. PRAHER shall not be responsible for cartage, removal and/or reinstallation labor, or any such costs incurred in obtaining a warranty replacement. The product warranty expressed above is our only warranty and may not be verbally changed or modified by any representative of PRAHER. The offer to repair or replace non-conforming goods within warranty does not cover defects caused by shipping damages, damages caused by improper use or installation, or by the buyer's attempts to use the products beyond their mechanical, thermal or electrical capacity.