

Table of Contents

Ball Valves

M1 2-Way PVC True Union Ball Valves	3
S4 2-Way CVPC & Natural PP True Union Ball Valves	4-5
M1 2-Way Beige PP & PVDF True Union Ball Valves.....	6-7
S6 2-Way PVC True Union Ball Valves.....	8-9
S4 PVC & PVDF Laboratory Valves	10
S4 3-Way PVC, PP, PVDF True Union Ball Valves	11-12
S4 & M1 True Union Ball Valve Options	13

Butterfly Valves

K4 Butterfly Valve with lever handle	14
K4 Butterfly Valve with gear operator	15

Check Valves

K4 Swing Check Valves.....	16
K6 Wafer Check Valves	17
S4 PVC, PP, PVDF Wafer Check Valves.....	18-19
Spacers for Wafer Check Valves.....	20
Foot Valves.....	20
S4 PVC, CPVC, PP, PVDF Double Union Spring Check Valves	21-30

Diaphragm Valves

T7 PVC, PP, PVDF Diaphragm Valves.....	31-33
T4 PVC, PP, PVDF Diaphragm Valves.....	34

PVC Gate Valves

PVC Gate Valves	35
Air actuated gate valve	35

PVC Aerating Valve

PVC Aerating Valves.....	36
--------------------------	----

Table of Contents



Strainers

CR4 Inline Strainers with Corrosion Resistant Screen	36
S4 PVC Inline Strainers	37-38

Flow Meters

M123 Compact & M335 Full size flow meter	39-40
--	-------

PP Pipe Clamps

PP Pipe Clamps.....	41
---------------------	----

Automated Ball Valves

M1 2-Way Ball Valves Actuator Adapter Set	42
2-Way Ball Valves with Pneumatic Actuator.....	43
2-Way Ball Valves with Electric Actuator	44
3-Way Ball Valves with Pneumatic Actuator.....	45
3-Way Ball Valves with Electric Actuator	46
Pneumatic Actuators and Options for 2-Way & 3-Way ball valves.....	47
Electric Actuators and Options for 2-Way & 3-Way ball valves	48
3-Way Ball Valves with actuator mounting set.....	48
PVC, CPVC, PP, PVDF ball valve brackets	49
Actuator mounting kits for 3-Way ball valves.....	49

Automated Butterfly Valves

K4 Butterfly with MT Series Pneumatic Actuator	50
K4 Butterfly with J-Series Electric Actuator	50
Pneumatic Actuators and Options for butterfly valves.....	51
Electric Actuators and Options for butterfly valves	51

Automated Multiport Valves

24 VAC Multi-position Aquastar PLC.....	52
Aquastar Control.....	52

Spare Parts	53-64
--------------------------	-------

Terms & Conditions of Sale	66
---	----



**M1 Series Industrial
PVC True Union Ball Valves with Locking Handle,
Silicone Free & NSF/ANSI 61 Approved!**

All M1 ball valves include lock-out tag-out handle at no additional charge.
****KIWA NSF/ANSI 61 Drinking Water Approval****

EPDM WITH PTFE SEATS

SIZE	END CONN.	PART #	CARTON QTY
3/8"	Socket	12-4070	9
	Soc & Thd combo	12-4070ST	9

SIZE	END CONN.	PART #	CARTON QTY
1-1/2"	Socket	12-4075	6
	Soc & Thd combo	12-4075ST	6

1/2"	Socket	12-4071	9
	Soc & Thd combo	12-4071ST	9

2"	Socket	12-4076	4
	Soc & Thd combo	12-4076ST	4

3/4"	Socket	12-4072	8
	Soc & Thd combo	12-4072ST	8

2-1/2"	Socket	21-0494	1
--------	--------	---------	---

1"	Socket	12-4073	8
	Soc & Thd combo	12-4073ST	8

3"	Socket	21-0495	1
----	--------	---------	---

1-1/4"	Socket	12-4074	8
	Soc & Thd combo	12-4074ST	8

4"	Socket	21-0496	1
----	--------	---------	---

VITON WITH PTFE SEATS

SIZE	END CONN.	PART #	CARTON QTY
3/8"	Socket	12-4077	9
	Soc & Thd combo	12-4077ST	9

SIZE	END CONN.	PART #	CARTON QTY
1-1/2"	Socket	12-4082	6
	Soc & Thd combo	12-4082ST	6

1/2"	Socket	12-4078	9
	Soc & Thd combo	12-4078ST	9

2"	Socket	12-4083	4
	Soc & Thd combo	12-4083ST	4

3/4"	Socket	12-4079	8
	Soc & Thd combo	12-4079ST	8

2-1/2"	Socket	21-0497	1
--------	--------	---------	---

1"	Socket	12-4080	8
	Soc & Thd combo	12-4080ST	8

3"	Socket	21-0498	1
----	--------	---------	---

1-1/4"	Socket	12-4081	8
	Soc & Thd combo	12-4081ST	8

4"	Socket	21-0499	1
----	--------	---------	---



S4 Series Industrial CPVC True Union Ball Valves

All S4 ball valves include lock-out tag-out handle at no additional charge.

- CRN No. 0C13843.5 & 0C13843.56

EPDM WITH PTFE SEATS

SIZE	END CONN.	PART #	CARTON QTY	SIZE	END CONN.	PART #	CARTON QTY
1/2"	Socket	-128450	12	1-1/4"	Socket	-128478	5
	Soc & Thd combo	-128450ST	12		Soc & Thd combo	-128478ST	5
3/4"	Socket	-128470	12	1-1/2"	Socket	-128482	10
	Soc & Thd combo	-128470ST	12		Soc & Thd combo	-128482ST	10
1"	Socket	-128474	10	2"	Socket	-128486	8
	Soc & Thd combo	-128474ST	10		Soc & Thd combo	-128486ST	8

VITON WITH PTFE SEATS

SIZE	END CONN.	PART #	CARTON QTY	SIZE	END CONN.	PART #	CARTON QTY
1/2"	Socket	-128451	12	1-1/4"	Socket	-128479	5
	Soc & Thd combo	128451ST	12		Soc & Thd combo	128479ST	5
3/4"	Socket	-128471	12	1-1/2"	Socket	-128483	10
	Soc & Thd combo	128471ST	12		Soc & Thd combo	128483ST	10
1"	Socket	-128475	10	2"	Socket	-128487	8
	Soc & Thd combo	128475ST	10		Soc & Thd combo	128487ST	8

All wetted materials listed on this page meet NSF/ANSI 61 requirements



**S4 Series Industrial
PP True Union Ball Valves (Natural Unpigmented)
with Locking Handle &
Glass Filled Nut – IPS connections**

All S4 ball valves include lock-out tag-out handle at no additional charge.

- CRN No. 0C13843.5 & 0C13843.56

EPDM WITH PTFE SEATS						
SIZE	END CONN.	PART #		SIZE	END CONN.	PART #
1/2"	Socket	-126617A		1-1/2"	Socket	-126621A
	Threaded	-126617ATY			Threaded	-126621ATP
3/4"	Socket	-126618A		2"	Socket	-120310A
	Threaded	-126618ATY			Threaded	-120310ATP
1"	Socket	-126619A				
	Threaded	-126619ATY				

* Threaded socket ends are PVDF

Note: USP Class VI O-Rings available for the above valve. Please call for more information



M1 Series Industrial PP True Union Ball Valves with Locking Handle Metric end connections

All M1 ball valves include lock-out tag-out handle at no additional charge.

(d25 mm)	Spigot	-124100	(d75 mm)	Spigot	-124286
----------	--------	---------	----------	--------	---------

1" - DN25	Socket	-124087	3" - DN80	Socket	-124281
(d32 mm)	Spigot	-124101	(d90 mm)	Spigot	-124287

1-1/4" - DN32	Socket	-124088	4" - DN80	Socket	-124282
(d40 mm)	Spigot	-124102	(d110 mm)	Spigot	-124288

VITON WITH PTFE SEATS

SIZE	END CONN.	PART #	SIZE	END CONN.	PART #
3/8" - DN10	Socket	-124140	1-1/2" - DN40	Socket	-124145
(d16 mm)	Spigot	-124147	(d50 mm)	Spigot	-124152

1/2" - DN15	Socket	-124141	2" - DN50	Socket	-124146
(d20 mm)	Spigot	-124148	(d63 mm)	Spigot	-124153

3/4" - DN20	Socket	-124142	2-1/2" - DN65	Socket	-124283
(d25 mm)	Spigot	-124149	(d75 mm)	Spigot	-124289

1" - DN25	Socket	-124143	3" - DN80	Socket	-124284
(d32 mm)	Spigot	-124150	(d90 mm)	Spigot	-124290

1-1/4" - DN32	Socket	-124144	4" - DN80	Socket	-124285
(d40 mm)	Spigot	-124151	(d110 mm)	Spigot	-124291

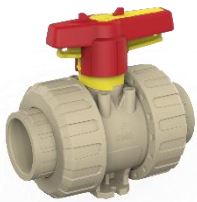


M1 Series Industrial PP True Union Ball Valves with Locking Handle IPS – Imperial end connections



All M1 ball valves include lock-out tag-out handle at no additional charge.

EPDM WITH PTFE SEATS					
SIZE	END CONN.	PART #	SIZE	END CONN.	PART #
3/8"	Socket	-210240	1-1/4"	Socket	-210244
	Threaded	-210268		Threaded	-210272
1/2"	Socket	-210241	1-1/2"	Socket	-210245
	Threaded	-210269		Threaded	-210273
3/4"	Socket	-210242	2"	Socket	-210246
	Threaded	-210270		Threaded	-210274
1"	Socket	-210243			
	Threaded	-210271			



M1 Series Industrial PP True Union Ball Valves with Locking Handle IPS – Imperial end connections

All M1 ball valves include lock-out tag-out handle at no additional charge.

VITON WITH PTFE SEATS					
SIZE	END CONN.	PART #	SIZE	END CONN.	PART #
3/8"	Socket		1-1/4"	Socket	210251
	Threaded	210275		Threaded	210279
1/2"	Socket	210248	1-1/2"	Socket	210252
	Threaded	2102276		Threaded	210280
3/4"	Socket	210249	2"	Socket	210253
	Threaded	210277		Threaded	210281
1"	Socket	210250			
	Threaded	210278			



M1 Series Industrial PVDF True Union Ball Valves with Locking Handle – Metric end connections



All M1 ball valves include lock-out tag-out handle at no additional charge.

VITON WITH PTFE SEATS					
SIZE	END CONN.	PART #	SIZE	END CONN.	PART #
1/2" - DN15 (d20 mm)	Socket	-124092	2" - DN50 (d63 mm)	Socket	-124097
	Spigot	-124106		Spigot	-124111
3/4" - DN20 (d25 mm)	Socket	-124093	2-1/2" - DN65 (d75 mm)	Socket	-124292
	Spigot	-124107		Spigot	-124295
1" - DN25 (d32 mm)	Socket	-124094	3" - DN80 (d90 mm)	Socket	-124293
	Spigot	-124108		Spigot	-124296
1-1/4" - DN32 (d40 mm)	Socket	-124095	4" - DN80 (d110 mm)	Socket	-124294
	Spigot	-124109		Spigot	-124297
1-1/2" - DN40 (d50 mm)	Socket	-124096			
	Spigot	-124110			



M1 Series Industrial PVDF True Union Ball Valves with Locking Handle – Imperial end connections.

All M1 ball valves include lock-out tag-out handle at no additional charge.

VITON WITH PTFE SEATS							
SIZE	END CONN.	PART #	WEIGHT (LBS)	SIZE	END CONN.	PART #	WEIGHT (LBS)
1/2"	Socket	-124092i	0.66	1-1/4"	Socket	121452i	
	Threaded	-210398	0.66		Threaded	-210401	
3/4"	Socket	124093i	0.97	1-1/2"	Socket	124096i	3.15
	Threaded	-210399	0.97		Threaded	-210402	3.15
1"	Socket	-124094i	1.28	2"	Socket	-124079i	4.72
	Threaded	-210400	1.28		Threaded	-210403	4.72
				3"	Socket	-124293i	



S6 Series Industrial PVC True Union Ball Valves with PTFE seats (Econo)

1/2" to 2" is now rated up to 230 psi



EPDM WITH PTFE SEATS

SIZE	END CONN.	PART #	CARTON QTY	SIZE	END CONN.	PART #	CARTON QTY
3/8"	Socket	BV6-0381TES	20	1-1/2"	Socket	BV6-1501TES	15
	Soc & Thd combo	BV6-0381TEST	20		Soc & Thd combo	BV6-1501TEST	15
1/2"	Socket	BV6-0501TES	20	2"	Socket	BV6-2001TES	10
	Soc & Thd combo	BV6-0501TEST	20		Soc & Thd combo	BV6-2001TEST	10
3/4"	Socket	BV6-0751TES	20	2-1/2"	Socket	12-9009	4
	Soc & Thd combo	BV6-0751TEST	20		Threaded	12-9009T	4
1"	Socket	BV6-1001TES	15	3"	Socket	12-9351	1
	Soc & Thd combo	BV6-1001TEST	15		Threaded	12-9351T	1
1-1/4"	Socket	BV6-1251TES	15				
	Soc & Thd combo	BV6-1251TEST	15				

VITON WITH PTFE SEATS

SIZE	END CONN.	PART #	CARTON QTY	SIZE	END CONN.	PART #	CARTON QTY
3/8"	Socket	BV6-0381TVS	20	1-1/2"	Socket	BV6-1501TVS	15
	Soc & Thd combo	BV6-0381TVST	20		Soc & Thd combo	BV6-1501TVST	15
1/2"	Socket	BV6-0501TVS	20	2"	Socket	BV6-2001TVS	10
	Soc & Thd combo	BV6-0501TVST	20		Soc & Thd combo	BV6-2001TVST	10
3/4"	Socket	BV6-0751TVS	20	2-1/2"	Socket	12-9010	4
	Soc & Thd combo	BV6-0751TVST	20		Threaded	12-9010T	4
1"	Socket	BV6-1001TVS	15	3"	Socket	12-9352	1
	Soc & Thd combo	BV6-1001TVST	15		Threaded	12-9352T	1
1-1/4"	Socket	BV6-1251TVS	15				
	Soc & Thd combo	BV6-1251TVST	15				

All wetted materials listed on this page meet NSF/ANSI 61 requirements

S6 Series Industrial

PVC True Union Ball Valves with Polyethylene seats (Econo)

1/2" to 2" is now rated up to 230 psi

EPDM WITH POLYETHYLENE SEATS							
SIZE	END CONN.	PART #	CARTON QTY		END CONN.	PART #	CARTON QTY
1/2"	Socket	BV6-0501PES	50		Threaded	BV6-0501PET	50
3/4"	Socket	BV6-0751PES	50		Threaded	BV6-0751PET	50
1"	Socket	BV6-1001PES	40		Threaded	BV6-1001PET	40
1-1/4"	Socket	BV6-1251PES	10		Threaded	BV6-1251PET	10
1-1/2"	Socket	BV6-1501PES	20		Threaded	BV6-1501PET	20
2"	Socket	BV6-2001PES	10		Threaded	BV6-2001PET	10
2-1/2"	Socket	BV6-2501PES	4		Threaded	BV6-2501PET	4
3"	Socket	BV6-3001PES	4		Threaded	BV6-3001PET	4
4"	Socket	BV6-4001PES	4				



S4 PVC/PVDF Laboratory Ball Valves

SIZE	PART #	DESCRIPTION	CARTON QTY
1/4"	LC-PV	PVC / EPDM / MIP X FIP WITHOUT FTG	10
1/4"	LC-PV-1	PVC / EPDM / MIP X FIP WITH HOSE FTG	10
1/4"	LC-PV-2	PVC / VITON / MIP X FIP WITH HOSE FTG	10
1/4"	LC-VDF-2	PVDF / VITON / MIP X FIP WITH HOSE FTG	10

* Ideal for instrumentation lines, chlorine feeder drain and general laboratory use.



**S4 Series Industrial
3-Way PVC True Union Ball Valves with Socket Ends**

All S4 ball valves include locking handle at no additional charge.

EPDM WITH PTFE SEATS			
SIZE	T-BALL PART #	L-BALL PART #	CARTON QTY
3/8"	12-0629	12-0630	15
1/2"	12-0631	12-0633	15
3/4"	12-2995	12-2996	15
1"	12-2195	12-1897	15
1-1/4"	12-2997	12-2998	5
1-1/2"	12-2752	12-2753	5
2"	12-2754	12-2755	4

VITON WITH PTFE SEATS			
SIZE	T-BALL PART #	L-BALL PART #	CARTON QTY
3/8"	12-0674	12-0675	15
1/2"	12-0676	12-0677	15
3/4"	12-0632	12-0672	15
1"	12-0657	12-0658	15
1-1/4"	12-0778	12-0779	5
1-1/2"	12-0773	12-0774	5
2"	12-0775	12-0776	4

Add 'T' to the end of the part number for threaded ends.



S4 Series Industrial 3-Way PP True Union Ball Valves with Metric End Connections

All S4 ball valves include locking handle at no additional charge.

EPDM WITH PTFE SEATS							
SIZE	END CONN.	T-BALL PART #	L-BALL PART #	SIZE	END CONN.	T-BALL PART #	L-BALL PART #
3/8" - DN10 (d16 mm)	Socket	-124767	-124768	1-1/4" - DN32 (d40 mm)	Socket	-125016	-125017
	Spigot	-124769	-124770		Spigot	-125020	-125021
1/2" - DN15 (d20 mm)	Socket	-124771	-124772	1-1/2" - DN40 (d50 mm)	Socket	-124890	-124891
	Spigot	-124773	-124774		Spigot	-124892	-124893
3/4" - DN20 (d25 mm)	Socket	-125014	-125015	2" - DN50 (d63 mm)	Socket	-124894	-124895
	Spigot	-125018	-125019		Spigot	-124896	-124897
1" - DN25 (d32 mm)	Socket	-124775	-124776				
	Spigot	-124777	-124778				

VITON WITH PTFE SEATS							
SIZE	END CONN.	T-BALL PART #	L-BALL PART #	SIZE	END CONN.	T-BALL PART #	L-BALL PART #
3/8" - DN10 (d16 mm)	Socket	-124898	-124899	1-1/4" - DN32 (d40 mm)	Socket	-125024	-125025
	Spigot	-124900	-124901		Spigot	-125028	-125029
1/2" - DN15 (d20 mm)	Socket	-124902	-124903	1-1/2" - DN40 (d50 mm)	Socket	-124910	-124911
	Spigot	-124904	-124905		Spigot	-124912	-124913
3/4" - DN20 (d25 mm)	Socket	-125022	-125023	2" - DN50 (d63 mm)	Socket	-124914	-124915
	Spigot	-125026	-125027		Spigot	-124916	-124917
1" - DN25 (d32 mm)	Socket	-124906	-124907				
	Spigot	-124908	-124909				



S4 Series Industrial 3-Way PVDF True Union Ball Valves with Metric End Connections



All S4 ball valves include locking handle at no additional charge.

VITON WITH PTFE SEATS							
SIZE	END CONN.	T-BALL PART #	L-BALL PART #	SIZE	END CONN.	T-BALL PART #	L-BALL PART #
3/8" - DN10 (d16 mm)	Socket	-124918	-124919	1-1/4" - DN32 (d40 mm)	Socket	-125032	-125033
	Spigot	-124920	-124921		Spigot	-125036	-125037
1/2" - DN15 (d20 mm)	Socket	-124922	-124923	1-1/2" - DN40 (d50 mm)	Socket	-124930	-124931
	Spigot	-124924	-124925		Spigot	-124932	-124933
3/4" - DN20 (d25 mm)	Socket	-125030	-125031	2" - DN50 (d63 mm)	Socket	-124934	-124935
	Spigot	-125034	-125035		Spigot	-124936	-124937
1" - DN25 (d32 mm)	Socket	-124926	-124927				
	Spigot	-124928	-124929				



M1 & S4 True Union Ball Valve Labeling System

Features:

- * Material: PBT (Polyester)
- * Color: Yellow (Standard)

YELLOW		BLUE	GREEN	RED
SIZE	PART #	PART #	PART #	PART #
3/8"	101624	141861	141862	141863
1/2"	101624	141861	141862	141863
3/4"	101625	141864	141865	141866
1"	101625	141864	141865	141866
1-1/4"	101626	141867	141868	141869
1-1/2"	101627	141870	141871	141872
2"	101628	141873	141874	141875
2-1/2"	101629	141876	141877	141878
3"	101630	141879	141880	141881



K4 Series Industrial Butterfly Valves

Features:

- Standard glass filled Polypropylene body
- 316 Stainless Steel shaft – non wetted
- CRN No. 0C13843.5 & 0C13843.56

PVC DISC EPDM SEAT	
SIZE	PART #
2-1/2"	125-860
3"	125-861
4"	125-862
5"	128-456
6"	125-863
8"	125-864

PVC DISC VITON SEAT
PART #
125-865
125-866
125-867
128-457
125-868
125-869

CPVC DISC EPDM SEAT
PART #
129-302
129-303
129-304

CPVC DISC VITON SEAT
PART #
129-305
129-306
129-307

PP DISC EPDM SEAT	
SIZE	PART #
2-1/2"	125-870
3"	125-871
4"	125-872
5"	128-458
6"	125-873A
8"	125-874

PP DISC VITON SEAT
PART #
125-875
125-876
125-877
128-459
125-878
125-879

PVDF DISC VITON SEAT
PART #
125-880
125-881
125-882
128-460
125-883
125-884

K4 Butterfly PVC Flange Kits	
SIZE	PART #
3"	FK4-300
4"	FK4-400
6"	FK4-600
8"	FK4-800

Kit consists of two PVC flanges plus hardware.
Grade 5 steel bolt zinc plated with hex nut and two flat washers

Recommended Torque rating for flanges:
3-4" = 25 ft. in.lbs,
6-8" = 40ft. in lbs.

Lug style available – Please call for a quote



K4 Series Industrial Butterfly Valve with Gear Operator

Features:

- CRN No. 0C13843.5 & 0C13843.56

PVC DISC EPDM SEAT	
SIZE	PART #
2-1/2"	126-010
3"	126-011
4"	126-012
5"	128-761
6"	126-013
8"	126-014
10"	240-507

PVC DISC VITON SEAT
PART #
126-015
126-016
126-017
128-763
126-018
126-019
240-527

CPVC DISC EPDM SEAT
PART #
129-296
129-297
129-298

CPVC DISC VITON SEAT
PART #
129-299
129-300
129-301

PP DISC EPDM SEAT	
SIZE	PART #
2-1/2"	126-020
3"	126-021
4"	126-022
5"	128-763
6"	126-023
8"	126-024
10"	242-507

PP DISC VITON SEAT
PART #
126-025
126-026
126-027
128-764
126-028
126-029
242-527

PVDF DISC VITON SEAT
PART #
126-030
126-031
126-032
128-765
126-033
126-034

Lug style available – Please call for a quote



K4 Series Industrial PVC/PP/PVDF Swing Check Valves

Features:

- CRN No. 0C13843.5 & 0C13843.56

PVC/EPDM	
SIZE	PART #
2 1/2"	SCV-1025
3"	SCV-1030
4"	SCV-1040
6"	SCV-1060
8"	SCV-1080
10"	SCV-10100

PVC/VITON	
PART #	
SCV-1025V	
SCV-1030V	
SCV-1040V	
SCV-1060V	
SCV-1080V	
SCV-10100V	

PPGR/EPDM	
PART #	
SCV-2025	
SCV-2030	
SCV-2040	
SCV-2060	
SCV-2080	
SCV-20100	

PPGR/VITON	
PART #	
SCV-2025V	
SCV-2030V	
SCV-2040V	
SCV-2060V	
SCV-2080V	
SCV-20100V	

PP/EPDM	
SIZE	PART #
2 1/2"	SCV-4025
3"	SCV-4030
4"	SCV-4040
6"	SCV-4060
8"	SCV-4080
10"	SCV-40100

PP/VITON	
PART #	
SCV-4025V	
SCV-4030V	
SCV-4040V	
SCV-4060V	
SCV-4080V	
SCV-40100V	

PVDF/VITON	
PART #	
SCV-5025V	
SCV-5030V	
SCV-5040V	
SCV-5060V	
SCV-5080V	
SCV-50100V	

SWING CHECK VALVE PVC FLANGE KIT	
SIZE	PART #
3"	FK-SCV300
4"	FK-SCV400
6"	FK-SCV600
8"	FK-SCV800

Each kit consists of 2 flanges, Grade 5 steel bolt zinc plated with hex nut and two flat washers



K6 Series Industrial PVC Wafer Check Valves



Features:

- No spacer required on newest generation of wafer check
- Easy spring installation without any special tool requirements
- Easy installation due to integrated flange bolt guides for DIN 2501 PN10 and ANSI Class 150
- Rated to 150 psi on all sizes
- CRN No. 0C17876.2

PVC/EPDM WITH SS SPRING	
SIZE	PART #
1-1/2"	-129100
2"	-129101
2-1/2"	-129102
3"	-129103
4"	-129104
5"	-129105
6"	-129106
8"	-129107
10"	-129108
12"	-129109
14"	-129110

PVC/VITON WITH SS SPRING
PART #
-129111
-129112
-129113
-129114
-129115
-129116
-129117
-129118
-129119
-129120
-120908

PVC/EPDM WITH HASTELLOY SPRING
PART #
-123159
-123160
-123161
-123162
-123163
-123164
-123165
-123166
-123167
-123168
-120911

PVC/VITON WITH HASTELLOY SPRING
PART #
-123169
-123170
-123171
-123172
-123173
-123174
-123175
-123176
-123177
-123178
-120914

INSTALLATION PRECAUTIONS:

- No direct mounting onto a pump, bend or elbow
- Install a minimum of five times the nominal pipe diameter away from pumps, bends or elbows. (**Example:** Install a 4" valve 20" away from a pump discharge.)

Note: Do not use valves without springs for pulsating applications





S4 Series Industrial PP/PVDF Wafer Check Valves



Features:

- Economical, space saving design.
- Lightweight, non-corrosive construction.

NOTE: Spacer rings for full disc opening is recommended

PP/EPDM	
SIZE	PART #
1-1/2"	461-15-E
2"	461-20-E
2-1/2"	461-25-E
3"	461-30-E
4"	461-40-E
5"	461-50-E
6"	461-60-E
8"	461-80-E
10"	461-100-E
12"	461-120-E
14"	461-140-E
16"	461-160-E
18"	461-180-E

PP/VITON
PART #
461-15-V
461-20-V
461-25-V
461-30-V
461-40-V
461-50-V
461-60-V
461-80-V
461-100-V
461-120-V
461-140-V
461-160-V
461-180-V

PP/TELFON*
PART #
461-15-VT
461-20-VT
461-25-VT
461-30-VT
461-40-VT
461-50-VT
461-60-VT
461-80-VT
461-100-VT
461-120-VT

PP/EPDM WITH SS SPRING	
SIZE	PART #
1-1/2"	471-15-E
2"	471-20-E
2-1/2"	471-25-E
3"	471-30-E
4"	471-40-E
5"	471-50-E
6"	471-60-E
8"	471-80-E
10"	471-100-E
12"	471-120-E
14"	471-140-E
16"	471-160-E
18"	471-180-E

PP/VITON WITH SS SPRING
PART #
471-15-V
471-20-V
471-25-V
471-30-V
471-40-V
471-50-V
471-60-V
471-80-V
471-100-V
471-120-V
471-140-V
471-160-V
471-180-V

PP/EPDM WITH HASTELLOY SPRING
PART #
471-15-EH
471-20-EH
471-25-EH
471-30-EH
471-40-EH
471-50-EH
471-60-EH
471-80-EH
471-100-EH
471-120-EH

PP/VITON WITH HASTELLOY SPRING
PART #
471-15-VH
471-20-VH
471-25-VH
471-30-VH
471-40-VH
471-50-VH
471-60-VH
471-80-VH
471-100-VH
471-120-VH

PP/TEFLON* WITH HASTELLOY SPRING
PART #
471-15-VTH
471-20-VTH
471-25-VTH
471-30-VTH
471-40-VTH
471-50-VTH
471-60-VTH
471-80-VTH
471-100-VTH
471-120-VTH

* Teflon encapsulated Viton O-Ring



S4 Series Industrial PVC/PP/PVDF Wafer Check Valves

PVDF/EPDM	
SIZE	PART #
2"	462-20-E
2-1/2"	462-25-E
3"	462-30-E
4"	462-40-E
5"	462-50-E
6"	462-60-E
8"	462-80-E
10"	462-100-E
12"	462-120-E

PVDF/VITON
PART #
462-20-V
462-25-V
462-30-V
462-40-V
462-50-V
462-60-V
462-80-V
462-100-V
462-120-V

PVDF/TEFLON*
PART #
462-20-VT
462-25-VT
462-30-VT
462-40-VT
462-50-VT
462-60-VT
462-80-VT
462-100-VT
462-120-VT

PVDF/EPDM WITH SS SPRING	
SIZE	PART #
2"	472-20-E
2-1/2"	472-25-E
3"	472-30-E
4"	472-40-E
5"	472-50-E
6"	472-60-E
8"	472-80-E
10"	472-100-E
12"	472-120-E

PVDF/VITON WITH SS SPRING
PART #
472-20-V
472-25-V
472-30-V
472-40-V
472-50-V
472-60-V
472-80-V
472-100-V
472-120-V

PVDF/EPDM WITH HASTELLOY SPRING
PART #
472-20-EH
472-25-EH
472-30-EH
472-40-EH
472-50-EH
472-60-EH
472-80-EH
472-100-EH
472-120-EH

PVDF/VITON WITH HASTELLOY SPRING
PART #
472-20-VH
472-25-VH
472-30-VH
472-40-VH
472-50-VH
472-60-VH
472-80-VH
472-100-VH
472-120-VH

PVDF/TEFLON* WITH HASTELLOY SPRING
PART #
472-20-VTH
472-25-VTH
472-30-VTH
472-40-VTH
472-50-VTH
472-60-VTH
472-80-VTH
472-100-VTH
472-120-VTH

* Teflon encapsulated Viton O-Ring



**PVC/PP/PVDF
Spacers for Wafer Check Valves**



PVC	
SIZE	PART #
2"	3-20-7
2-1/2"	3-25-7
3"	3-30-7
4"	3-40-7
5"	3-50-7
6"	3-60-7
8"	3-80-7
10"	3-100-7
12"	3-120-7

PP
PART #
4-20-7
4-25-7
4-30-7
4-40-7
4-50-7
4-60-7
4-80-7
4-100-7
4-120-7

PVDF
PART #
5-20-7
5-25-7
5-30-7
5-40-7
5-50-7
5-60-7
5-80-7
5-100-7
5-120-7



**S4 Series Industrial
PVC True Union Foot Valves**

Screen hole size: 2 x 4 mm

EPDM O-RINGS

SIZE	PART #
3/8"	122-873
1/2"	122-109
3/4"	122-110
1"	122-668
1-1/4"	122-129
1-1/2"	121-353
2"	121-360
2-1/2"	122-203
3"	122-105
4"	122-669

VITON O-RINGS

SIZE	PART #
3/8"	122-874
1/2"	121-032
3/4"	121-033
1"	121-034
1-1/4"	121-035
1-1/2"	121-036
2"	121-037
2-1/2"	121-038
3"	121-039
4"	121-040



S4 Series Industrial PVC True Union Spring Check Valves

Features:

- Spring cracking pressure: 1 psi
- CRN No. 0C13843.5 & 0C13843.56

PVC/EPDM WITH STAINLESS STEEL SPRING							
SIZE	END CONN.	PART #	CARTON QTY	SIZE	END CONN.	PART #	CARTON QTY
1/2"	Socket	3-050	20	1-1/2"	Socket	3-150	10
	Threaded	3-051	20		Threaded	3-151	10
3/4"	Socket	3-075	20	2"	Socket	3-200	8
	Threaded	3-076	20		Threaded	3-201	8
1"	Socket	3-100	15	2-1/2"	Socket	3-250	4
	Threaded	3-101	15		Threaded	3-251	4
1-1/4"	Socket	3-125	20	3"	Socket	3-300	1
	Threaded	3-126	20		Threaded	3-301	1

PVC/EPDM WITH TEFLON ENCAPSULATED STAINLESS STEEL SPRING							
SIZE	END CONN.	PART #	CARTON QTY	SIZE	END CONN.	PART #	CARTON QTY
1/2"	Socket	3-050P	20	1-1/2"	Socket	3-150P	10
	Threaded	3-051P	20		Threaded	3-151P	10
3/4"	Socket	3-075P	20	2"	Socket	3-200P	8
	Threaded	3-076P	20		Threaded	3-201P	8
1"	Socket	3-100P	15	2-1/2"	Socket	3-250P	4
	Threaded	3-101P	15		Threaded	3-251P	4
1-1/4"	Socket	3-125P	20	3"	Socket	3-300P	1
	Threaded	3-126P	20		Threaded	3-301P	1



**S4 Series Industrial
PVC Double Union Spring Check Valves**

PVC/EPDM WITH HASTELLOY SPRING							
SIZE	END CONN.	PART #	CARTON QTY	SIZE	END CONN.	PART #	CARTON QTY
1/2"	Socket	3-050H	20	1-1/4"	Socket	3-125H	20
	Threaded	3-051H	20		Threaded	3-126H	20
3/4"	Socket	3-075H	20	1-1/2"	Socket	3-150H	10
	Threaded	3-076H	20		Threaded	3-151H	10
1"	Socket	3-100H	15	2"	Socket	3-200H	8
	Threaded	3-101H	15		Threaded	3-201H	8

PVC/VITON WITH STAINLESS STEEL SPRING							
SIZE	END CONN.	PART #	CARTON QTY	SIZE	END CONN.	PART #	CARTON QTY
1/2"	Socket	3-050-V	20	1-1/2"	Socket	3-150-V	10
	Threaded	3-051-V	20		Threaded	3-151-V	10
3/4"	Socket	3-075-V	20	2"	Socket	3-200-V	8
	Threaded	3-076-V	20		Threaded	3-201-V	8
1"	Socket	3-100-V	15	2-1/2"	Socket	3-250-V	4
	Threaded	3-101-V	15		Threaded	3-251-V	4
1-1/4"	Socket	3-125-V	20	3"	Socket	3-300-V	1
	Threaded	3-126-V	20		Threaded	3-301-V	1



S4 Series Industrial PVC Double Union Spring Check Valves

PVC/VITON WITH TEFLON ENCAPSULATED STAINLESS STEEL SPRING							
SIZE	END CONN.	PART #	CARTON QTY	SIZE	END CONN.	PART #	CARTON QTY
1/2"	Socket	3-050-VT	20	1-1/2"	Socket	3-150-VT	10
	Threaded	3-051-VT	20		Threaded	3-151-VT	10
3/4"	Socket	3-075-VT	20	2"	Socket	3-200-VT	8
	Threaded	3-076-VT	20		Threaded	3-201-VT	8
1"	Socket	3-100-VT	15	2-1/2"	Socket	3-250-VT	4
	Threaded	3-101-VT	15		Threaded	3-251-VT	4
1-1/4"	Socket	3-125-VT	20	3"	Socket	3-300-VT	1
	Threaded	3-126-VT	20		Threaded	3-301-VT	1

PVC/VITON WITH HASTELLOY SPRING							
SIZE	END CONN.	PART #	CARTON QTY	SIZE	END CONN.	PART #	CARTON QTY
1/2"	Socket	3-050H	10	1-1/4"	Socket	3-125H	5
	Threaded	3-051H	10		Threaded	3-126H	5
3/4"	Socket	3-075H	10	1-1/2"	Socket	3-150H	5
	Threaded	3-076H	10		Threaded	3-151H	5
1"	Socket	3-100H	8	2"	Socket	3-200H	4
	Threaded	3-101H	8		Threaded	3-201H	4



**S4 Series Industrial
CPVC Double Union Spring Check Valves**

CPVC/EPDM WITH STAINLESS STEEL SPRING							
SIZE	END CONN.	PART #	CARTON QTY	SIZE	END CONN.	PART #	CARTON QTY
1/2"	Socket	6-050	10	1-1/4"	Socket	6-125	5
	Threaded	6-051	10		Threaded	6-126	5
3/4"	Socket	6-075	10	1-1/2"	Socket	6-150	5
	Threaded	6-076	10		Threaded	6-151	5
1"	Socket	6-100	8	2"	Socket	6-200	4
	Threaded	6-101	8		Threaded	6-201	4

CPVC/EPDM WITH TEFLON ENCAPSULATED STAINLESS STEEL SPRING							
SIZE	END CONN.	PART #	CARTON QTY	SIZE	END CONN.	PART #	CARTON QTY
1/2"	Socket	6-050P	10	1-1/4"	Socket	6-125P	5
	Threaded	6-051P	10		Threaded	6-126P	5
3/4"	Socket	6-075P	10	1-1/2"	Socket	6-150P	5
	Threaded	6-076P	10		Threaded	6-151P	5
1"	Socket	6-100P	8	2"	Socket	6-200P	4
	Threaded	6-101P	8		Threaded	6-201P	4



**S4 Series Industrial
CPVC Double Union Spring Check Valves**

CPVC/EPDM WITH HASTELLOY SPRING							
SIZE	END CONN.	PART #	CARTON QTY	SIZE	END CONN.	PART #	CARTON QTY
1/2"	Socket	6-050H	10	1-1/4"	Socket	6-125H	5
	Threaded	6-051H	10		Threaded	6-126H	5
3/4"	Socket	6-075H	10	1-1/2"	Socket	6-150H	5
	Threaded	6-076H	10		Threaded	6-151H	5
1"	Socket	6-100H	8	2"	Socket	6-200H	4
	Threaded	6-101H	8		Threaded	6-201H	4

CPVC/VITON WITH STAINLESS STEEL SPRING							
SIZE	END CONN.	PART #	CARTON QTY	SIZE	END CONN.	PART #	CARTON QTY
1/2"	Socket	6-050-V	10	1-1/4"	Socket	6-125-V	5
	Threaded	6-051-V	10		Threaded	6-126-V	5
3/4"	Socket	6-075-V	10	1-1/2"	Socket	6-150-V	5
	Threaded	6-076-V	10		Threaded	6-151-V	5
1"	Socket	6-100-V	8	2"	Socket	6-200-V	4
	Threaded	6-101-V	8		Threaded	6-201-V	4



**S4 Series Industrial
CPVC Double Union Spring Check Valves**

CPVC/VITON WITH TEFLON ENCAPSULATED STAINLESS STEEL SPRING							
SIZE	END CONN.	PART #	CARTON QTY	SIZE	END CONN.	PART #	CARTON QTY
1/2"	Socket	6-050-VT	10	1-1/4"	Socket	6-125-VT	5
	Threaded	6-051-VT	10		Threaded	6-126-VT	5
3/4"	Socket	6-075-VT	10	1-1/2"	Socket	6-150-VT	5
	Threaded	6-076-VT	10		Threaded	6-151-VT	5
1"	Socket	6-100-VT	8	2"	Socket	6-200-VT	4
	Threaded	6-101-VT	8		Threaded	6-201-VT	4

CPVC/VITON WITH HASTELLOY SPRING							
SIZE	END CONN.	PART #	CARTON QTY	SIZE	END CONN.	PART #	CARTON QTY
1/2"	Socket	6-050-VH	10	1-1/4"	Socket	6-125-VH	5
	Threaded	6-051-VH	10		Threaded	6-126-VH	5
3/4"	Socket	6-075-VH	10	1-1/2"	Socket	6-150-VH	5
	Threaded	6-076-VH	10		Threaded	6-151-VH	5
1"	Socket	6-100-VH	8	2"	Socket	6-200-VH	4
	Threaded	6-101-VH	8		Threaded	6-201-VH	4



**S4 Series Industrial
CPVC Double Union Spring Check Valves**

CPVC/EPDM WITH TITANIUM SPRING							
SIZE	END CONN.	PART #	CARTON QTY	SIZE	END CONN.	PART #	CARTON QTY
1/2"	Socket	6-050-Ti	10	1-1/4"	Socket	6-125-Ti	5
	Threaded	6-051-Ti	10		Threaded	6-126-Ti	5
3/4"	Socket	6-075-Ti	10	1-1/2"	Socket	6-150-Ti	5
	Threaded	6-076-Ti	10		Threaded	6-151-Ti	5
1"	Socket	6-100-Ti	8	2"	Socket	6-200-Ti	4
	Threaded	6-101-Ti	8		Threaded	6-201-Ti	4

CPVC/VITON WITH TITANIUM SPRING							
SIZE	END CONN.	PART #	CARTON QTY	SIZE	END CONN.	PART #	CARTON QTY
1/2"	Socket	6-050-VTi	10	1-1/4"	Socket	6-125-VTi	5
	Threaded	6-051-VTi	10		Threaded	6-126-VTi	5
3/4"	Socket	6-075-VTi	10	1-1/2"	Socket	6-150-VTi	5
	Threaded	6-076-VTi	10		Threaded	6-151-VTi	5
1"	Socket	6-100-VTi	8	2"	Socket	6-200-VTi	4
	Threaded	6-101-VTi	8		Threaded	6-201-VTi	4



**S4 Series Industrial
PP Double Union Spring Check Valves
Metric end connections**

PP/EPDM WITH TEFLON ENCAPSULATED STAINLESS STEEL SPRING							
SIZE	END CONN.	PART #	WEIGHT LBS.	SIZE	END CONN.	PART #	WEIGHT LBS.
1/2"	Socket	4-050		1-1/2"	Socket	4-150	
	Threaded	4-051			Threaded	4-151	
	Spigot	121515			Spigot	121524	
3/4"	Socket	4-075		2"	Socket	4-200	
	Threaded	4-076			Threaded	4-201	
	Spigot	121517			Spigot	121526	
1"	Socket	4-100		2-1/2"	Socket	4-250	
	Threaded	4-101			Threaded	4-251	
	Spigot	121519			Spigot	121528A	
1-1/4"	Socket	4-125		3"	Socket	4-300	
	Threaded	4-126			Threaded	4-301	
	Spigot	121522			Spigot	121530	

PP/EPDM WITH HASTELLOY SPRING IMPERIAL END CONNECTIONS							
SIZE	END CONN.	PART #	WEIGHT LBS.	SIZE	END CONN.	PART #	WEIGHT LBS.
1/2"	Socket	122290H	0.44	1-1/4"	Socket	122898H	
	Threaded	122290HT	0.44		Threaded	122898HT	
3/4"	Socket	122896H	0.55	1-1/2"	Socket	122288H	2.20
	Threaded	122896HT	0.55		Threaded	122288HT	2.20
1"	Socket	122897HT	0.89	2"	Socket	122289H	3.55
	Threaded	122897HT	0.89		Threaded	122289HT	3.55



**S4 Series Industrial
PP Double Union Spring Check Valves
Metric end connections**

**PP/VITON WITH TEFLON ENCAPSULATED
STAINLESS STEEL SPRING**

SIZE	END CONN.	PART #	SIZE	END CONN.	PART #
1/2"	Socket	4-050-VT	1-1/2"	Socket	4-150-VT
	Threaded	4-051-VT		Threaded	4-151-VT
	Spigot	121516		Spigot	121525

3/4"	Socket	4-075-VT	2"	Socket	4-200-VT
	Threaded	4-076-VT		Threaded	4-201-VT
	Spigot	121518		Spigot	121527

1"	Socket	4-100-VT	2-1/2"	Socket	4-250-VT
	Threaded	4-101-VT		Threaded	4-251-VT
	Spigot	121521			

1-1/4"	Socket	4-125-VT	3"	Socket	4-300-VT
	Threaded	4-126-VT		Threaded	4-301-VT
	Spigot	121523		Spigot	121529A

PP/VITON WITH HASTELLOY SPRING

SIZE	END CONN.	PART #	SIZE	END CONN.	PART #
1/2"	Socket	4-050-VH	1-1/4"	Socket	4-125-VH
	Threaded	4-051-VH		Threaded	4-126-VH

3/4"	Socket	4-075-VH	1-1/2"	Socket	4-150-VH
	Threaded	4-076-VH		Threaded	4-151-VH

1"	Socket	4-100-VH	2"	Socket	4-200-VH
	Threaded	4-101-VH		Threaded	4-201-VH



S4 Series Industrial PVDF Double Union Spring Check Valves

PVDF/VITON WITH TEFLON ENCAPSULATED STAINLESS STEEL SPRING

SIZE	END CONN.	PART #	SIZE	END CONN.	PART #
1/2"	Socket	5-050V	1-1/2"	Socket	5-150V
	Threaded	5-051VT		Threaded	5-151VT
	Spigot	-121677		Spigot	-121681

3/4"	Socket	5-075V
	Threaded	5-076VT
	Spigot	-121678

2"	Socket	5-200V
	Threaded	5-201VT
	Spigot	-121682

1"	Socket	5-100V
	Threaded	5-101VT
	Spigot	-121679

2-1/2"	Socket	5-250V
	Threaded	5-251VT
	Spigot	-121683

1-1/4"	Socket	5-125V
	Threaded	5-126VT
	Spigot	-121680

3"	Socket	5-300V
	Threaded	5-301VT
	Spigot	-121684

PVDF/VITON WITH HASTELLOY SPRING

SIZE	END CONN.	PART #	SIZE	END CONN.	PART #
1/2"	Socket	5-050H	1-1/4"	Socket	5-125H
	Threaded	5-051HT		Threaded	5-126HT
	Spigot	-121677		Spigot	-121680

3/4"	Socket	5-075H
	Threaded	5-076HT
	Spigot	-121678

1-1/2"	Socket	5-150H
	Threaded	5-151HT
	Spigot	-121681

1"	Socket	5-100H
	Threaded	5-101HT
	Spigot	-121679

2"	Socket	5-200H
	Threaded	5-201HT
	Spigot	-121682



**T7 Series Industrial
PVC True Union Diaphragm Valve Metric Socket
Ends**

EPDM		VITON	TEFLON*
SIZE	PART #	PART #	PART #
1/2"	271210	271250	271230
3/4"	271211	271251	271231
1"	271212	271252	271232
1-1/4"	271213	271253	271233
1-1/2"	271214	271254	271234
2"	271215	271255	271235

(*)Teflon (PTFE) bonded to EPDM backing



**T7 Series Industrial
PVC True Union Diaphragm Valve ASTM Socket
Ends**

EPDM		VITON	TEFLON*
SIZE	PART #	PART #	PART #
1/2"	271310	271350	271330
3/4"	271311	271351	271331
1"	271312	271352	271332
1-1/4"	271313	271353	271333
1-1/2"	271314	271354	271334
2"	271315	271355	271335

(*)Teflon (PTFE) bonded to EPDM backing

Flanged ends available – Please call for a quote



T7 Series Industrial PP True Union Diaphragm Valve Metric Socket Ends

EPDM		VITON	TEFLON*
SIZE	PART #	PART #	PART #
1/2"	273210	273250	273230
3/4"	273211	273251	273231
1"	273212	273252	273232
1-1/4"	273213	273253	273233
1-1/2"	273214	273254	273234
2"	273215	273255	273235

(*)Teflon (PTFE) bonded to EPDM backing



T7 Series Industrial PP True Union Diaphragm Valve ASTM Socket Ends

EPDM		VITON	TEFLON*
SIZE	PART #	PART #	PART #
1/2"	273210I	273250I	273230I
3/4"	273211I	273251I	273231I
1"	273212I	273252I	273232I
1-1/4"	273213I	273253I	273233I
1-1/2"	273214I	273254I	273234I
2"	273215I	273255I	273235I

(*)Teflon (PTFE) bonded to EPDM backing

Flanged ends available – Please call for a quote



T7 Series Industrial PP Diaphragm Valves Metric Spigot Ends

EPDM		VITON	TEFLON*
SIZE	PART #	PART #	PART #
1/2"	273010	273030	273050
3/4"	273011	273031	273051
1"	273012	273032	273052
1-1/4"	273013	273033	273053
1-1/2"	273014	273034	273054
2"	273015	273035	273055

(* Teflon (PTFE) bonded to EPDM backing



T7 Series Industrial PVDF True Union Diaphragm Valves

	SOCKET	ASTM SOCKET	SPIGOT
SIZE	PART #	PART #	PART #
1/2" - DN15 (d20)	275210	275210I	275010
3/4" - DN20 (d25)	275211	275211I	275011
1" - DN25 (d32)	275212	275212I	275012
1-1/4" - DN32 (d40)	275213	275213I	275013
1-1/2" - DN40 (d50)	275214	275214	275014
2" - DN50 (d63)	275215	275215	275015

(* Teflon (PTFE) bonded to EPDM backing

Flanged ends available – Please call for a quote



T4 Series Industrial PP Diaphragm Valves

SPIGOT (EPDM)	
SIZE	PART #
2-1/2" - DN65 (d75)	120159
3" - DN80 (d90)	120160
4" - DN100 (d110)	120902
5" - DN125 (d140)	N/A

FLANGED (EPDM)	
PART #	
120237	
120238	
120909	
120910	

SPIGOT (TEFLON)	
SIZE	PART #
2-1/2" - DN65 (d75)	120181
3" - DN80 (d90)	120182
4" - DN100 (d110)	120905
5" - DN125 (d140)	N/A

FLANGED (TEFLON)	
PART #	
120258	
120260	
120912	
120913	

(* Teflon (PTFE) bonded to EPDM backing



T4 Series Industrial PVDF Diaphragm Valves

SPIGOT	
SIZE	PART #
2-1/2" - DN65 (d75)	120-184
3" - DN80 (d90)	120-185
4" - DN100 (d110)	120-917
5" - DN125 (d140)	N/A

FLANGED	
PART #	
120-274	
120-275	
120-921	
120-922	

(* Teflon (PTFE) bonded to EPDM backing



PVC Knife Gate Valves

SIZE	PART #	DESCRIPTION	CARTON QTY
1"	100-GATE	Socket X Socket	30
1-1/2"	150-GATE	Socket X Socket (White)	24
1-1/2"	150-HB4PMT	Pool Hose X MIP	18
1-1/2"	150-SLSP	Socket X Spigot	24
1-1/2"	151-GFFT	FIP X FIP (Black)	24
1-1/2"	151-GMFT	MIP X FIP (Black)	18

2"	200-GATE	Socket X Socket (White)	25
2"	200-SLSP	Socket X Spogot (White)	25

3"	300-GATE	Socket X Socket (Grey)	2
3"	300-GV16	Socket X Socket (White)	4

4"	400-GATE	Socket X Socket (Grey)	2
----	----------	------------------------	---



Air Actuated Gate Valves

SIZE	PART #	DESCRIPTION	CARTON QTY
2"	200-GAIRMAG	2" GATE VALVE WITH AIR ACTUATOR D.A., MAGNETIC PISTON	1
3"	300-GAIRMAG	3" GATE VALVE WITH AIR ACTUATOR D.A., MAGNETIC PISTON	1
4"	400-GAIRMAG	4" GATE VALVE WITH AIR ACTUATOR D.A., MAGNETIC PISTON	1

* With 1/8" FNPT ports, 316SS shaft.

Options and Accessories Add to the price of valve	
Option	Code#
Proximity Sw itch*	GVPS

* Will only work with magnetic piston cylinders



S4 Series Industrial PVC True Union Aerating Valves

EPDM O-RINGS

SIZE	PART #
3/8"	120-303
1/2"	122-701
3/4"	122-130
1"	122-131
1-1/4"	122-132
1-1/2"	122-831
2"	122-011
2-1/2"	120-288
3"	120-099

VITON O-RINGS

SIZE	PART #
3/8"	120-803
1/2"	120-804
3/4"	120-805
1"	120-806
1-1/4"	120-807
1-1/2"	120-808
2"	120-809
2-1/2"	120-810
3"	120-811

Available Options:

Add 'T' to the end of the part number for threaded ends.



CR4 Series Industrial 690 Micron (26 Mesh) PVC True Union Inline Strainers with Corrosion Resistant Screen

EPDM O-RINGS

SIZE	PART #
3/8"	CR4-0381ES70
1/2"	CR4-0501ES70
3/4"	CR4-0751ES70
1"	CR4-1001ES70
1-1/4"	CR4-1251ES70
1-1/2"	CR4-1501ES70
2"	CR4-2001ES70

VITON O-RINGS

PART #
CR4-0381VS70
CR4-0501VS70
CR4-0751VS70
CR4-1001VS70
CR4-1251VS70
CR4-1501VS70
CR4-2001VS70

Available Options:

Add 'T' to the end of the part number for threaded ends.



S4 Series Industrial PVC True Union Inline Strainers



EPDM O-RINGS WITH PP SCREEN

1800 MICRON (11 MESH)		1000 MICRON (18 MESH)	
SIZE	PART #	PART #	CARTON QTY
3/8"	120-557	220-100i	20
1/2"	120-558	220-101i	20
3/4"	120-559	220-102i	20
1"	120-560	220-103i	20
1-1/4"	120-561	220-104i	20
1-1/2"	120-562	220-105i	10
2"	120-563	220-106i	8
2-1/2"	120-564		
3"	120-565		
4"	121-044		

VITON O-RINGS WITH PP SCREEN

1800 MICRON (11 MESH)		1000 MICRON (18 MESH)	
SIZE	PART #	PART #	CARTON QTY
3/8"	120-715	220-115i	20
1/2"	120-716	220-116i	20
3/4"	120-717	220-117i	20
1"	120-718	220-118i	20
1-1/4"	120-719	220-119i	20
1-1/2"	120-720	220-120i	10
2"	120-721	220-121	8
2-1/2"	120-722		
3"	120-723		
4"	120-350		

Available Options:

Add 'T' to the end of the part number for threaded ends

Note:

1800 Micron = 11 MESH (Coarse)
1000 Micron = 18 MESH (Medium)



S4 Series Industrial PVC True Union Inline Strainers



EPDM O-RINGS WITH SS SCREEN

	1000 MICRON (18 MESH)	750 MICRON (24 MESH)	500 MICRON (35 MESH)	250 MICRON (60 MESH)
SIZE	PART #	PART #	PART #	PART #
3/8"	124-73510	124-73507	124-73505	124-73525
1/2"	124-73610	124-73607	124-73605	124-73625
3/4"	124-73710	124-73707	124-73705	124-73725
1"	124-73810	124-73807	124-73805	124-73825
1-1/4"	124-73910	124-73907	124-73905	124-73925
1-1/2"	124-74010	124-74007	124-74005	124-74025
2"	124-74110	124-74107	124-74105	124-74125
2-1/2"	124-74210	124-74207	124-74205	124-74225
3"	124-74310	124-74307	124-74305	124-74325
4"	124-74410	124-74407	124-74405	

VITON O-RINGS WITH SS SCREEN

	1000 MICRON (18 MESH)	750 MICRON (24 MESH)	500 MICRON (35 MESH)	250 MICRON (60 MESH)
SIZE	PART #	PART #	PART #	PART #
3/8"	124-73510V	124-73507V	124-73505V	124-73525V
1/2"	124-73610V	124-73607V	124-73605V	124-73625V
3/4"	124-73710V	124-73707V	124-73705V	124-73725V
1"	124-73810V	124-73807V	124-73805V	124-73825V
1-1/4"	124-73910V	124-73907V	124-73905V	124-73925V
1-1/2"	124-74010V	124-74007V	124-74005V	124-74025V
2"	124-74110V	124-74107V	124-74105V	124-74125V
2-1/2"	124-74210V	124-74207V	124-74205V	
3"	124-74310V	124-74307V	124-74305V	
4"	124-74410V	124-74407V	124-74405V	

Available Options:

Add 'T' to the end of the part number for threaded ends (up to 3" size only).

Note:

1000 Micron = 18 MESH (Medium)
 750 Micron = 24 MESH (Medium)
 500 Micron = 35 MESH (Fine)
 250 Micron = 60 MESH (Fine)

M123 Series Industrial Compact Flow Meter

- Threaded ends also available
- Head Loss: 3/8" & 1/2": 1.81" water column or 0.066 psi
1" flow meters: 3.26" water column or 0.12 psi



PSU BODY, PVC SOCKET, PVDF FLOAT					
SIZE	RANGE (L/h)	PART #		RANGE (USGPM)	PART #
3/8"	1.5-15	73-771		0.006-0.066	73-771US
3/8"	2.5-25	73-772		0.01-0.11	73-772US
3/8"	5-50	73-773		0.02-0.22	73-773US
3/8"	10-100	73-774		0.04-0.44	73-774US
1/2"	8-80	73-775		0.035-0.35	73-775US
1/2"	15-150	73-776		0.06-0.66	73-776US
1/2"	20-200	73-777		0.08-0.8	73-777US
1"	15-150	73-778		0.06-0.66	73-778US
1"	30-300	73-779		0.13-1.3	73-779US
1"	50-500	73-780		0.22-2.2	73-780US
1"	100-1000	73-781		0.44-4.4	73-781US

M335 Series Industrial Full-Size Meter



PA BODY, PVC SOCKET, PVDF FLOAT					
SIZE	RANGE (L/h)	PART #		RANGE (USGPM)	PART #
1"	50-500	77-110		0.22-2.2	77-110US
1"	100-1000	77-111		0.44-4.4	77-111US
1-1/2"	200-2000	77-114		0.88-8.8	77-114US
1-1/2"	300-3000	77-115		1.32-13.2	77-115US
2"	600-6000	77-117		2.64-26.4	77-117US
2"	1000-10000	77-118		4.40-44	77-118US
2-1/2"	2000-20000	77-120		8.8-88	77-120US
2-1/2"	3000-30000	77-121		13.2-132	77-121US
2-1/2"	8000-60000	77-122		35.2-264	77-122US

ALL DATA IN THIS CHART IS BASED ON WATER AT 72° F OR 20° C

M335 Series Industrial Full-Size Meter



PSU BODY, PVC SOCKET, PVDF FLOAT				
SIZE	RANGE (L/h)	PART #	RANGE (USGPM)	PART #
1"	50-500	77-162	0.22-2.2	77-162US
1"	100-1000	77-163	0.44-4.4	77-163US
1-1/2"	200-2000	77-166	0.88-8.8	77-166US
1-1/2"	300-3000	77-167	1.32-13.2	77-167US
2"	600-6000	77-169	2.64-26.4	77-169US
2-1/2"	2000-20000	77-172	8.8-88	77-172US
2-1/2"	3000-30000	77-173	13.2-132	77-173US
2-1/2"	8000-60000	77-174	35.2-264	77-174US

ALL DATA IN THIS CHART IS BASED ON WATER AT 72° F OR 20° C

Limit switches for flow meters			
SWITCHING STATES	FLOAT ABOVE	FLOAT BELOW	PART #
Z40 min	Open	Closed	77287
Z42 max	Closed	Open	77288

Note: When retrofitting the flow meter with a limit switch, ensure the standard float is replaced with a solenoid float.



Industrial PP Pipe Clips

Material: High Impact copolymer polypropylene (grey)



SIZE	DIAMETER RANGE (m m)	PART #	CARTON QTY
3/8"	17-19 mm	PP-038	1200
1/2"	20-23 mm	PP-050	1000
3/4"	25-28 mm	PP-075	600
1"	31-35 mm	PP-100	500
1-1/4"	39-43 mm	PP-125	350
1-1/2"	47-51 mm	PP-150	225
2"	60-65 mm	PP-200	125
2-1/2"	72-77 mm	PP-250	150
3"	88-92 mm	PP-300	100



M1 Series Industrial 2-Way Ball Valves with Actuator Adapter Set

		EPDM with PTFE Seats, Imperial Socket Ends		VITON with PTFE Seats, Imperial Socket Ends		
SIZE	PART #	BOLT CIRCLE	SQUARE COUPLING DIAGONAL	PART #	BOLT CIRCLE	SQUARE COUPLING DIAGONAL
1/2"	210133	F04	11 mm	210140	F04	11 mm
3/4"	210134	F04	11 mm	210141	F04	11 mm
1"	210135	F04	11 mm	210142	F04	11 mm
1-1/4"	210136	F05	11 mm	210143	F05	11 mm
1-1/2"	210137	F05	14 mm	210144	F05	14 mm
2"	210138	F05	14 mm	210145	F05	14 mm
2-1/2"	210528	F07	17 mm	210531	F07	17 mm
3"	210529	F07	17 mm	210532	F07	17 mm
4"	210530	F07	17 mm	210533	F07	17 mm

Note:

Add 'T' at the end of the part number for threaded ends at an increased price of 5% (up to 3" size only)



M1 Series Industrial Actuator Adapter Set for M1 Ball Valves

SIZE	PART #
1/2"	129011
3/4"	129012
1"	129012
1-1/4"	129013
1-1/2"	129014
2"	129014
2-1/2"	210631
3"	210632
4"	210632



M1 Series Industrial 2-Way True Union Ball Valves with MT Series Pneumatic Actuators



Double Acting		
PVC with EPDM O-Rings		PVC with Viton O-Rings
SIZE	PART #	PART #
1/2"	210-133D	210-140D
3/4"	210-134D	210-141D
1"	210-135D	210-142D
1-1/2"	210-137D	210-144D
2"	210-138D	210-145D
2-1/2"	210-528D	
3"	210-529D	
4" *	210-530D	

Spring Return		
Specify whether fail open or fail closed		
PVC with EPDM O-Rings		PVC with Viton O-Rings
SIZE	PART #	PART #
1/2"	210-133S	210-140S
3/4"	210-134S	210-141S
1"	210-135S	210-142S
1-1/2"	210-137S	210-144S
2"	210-138S	210-145S
2-1/2"	210-528S	
3"	210-529S	
4" *	210-530S	

* 3" valve with 4" molded socket ends

Add 'T' to the end of the part number for threaded ends at an increased price of 5% (up to 3" size only).

Options and Accessories - Add to list price		
Option	Item	Part#
SOLENOID VALVES	4-Way Naumur mount, NEMA 4/4X, 120 Vac	SV-120AC
	4-Way Naumur mount, NEMA 4/4X, 24 Vac	SV-24AC
	4-Way Naumur mount, NEMA 4/4X, 24 Vdc	SV-24DC
LIMIT SWITCH	Mechanical limit switch box - NEMA 4/4X	LSB



**M1 Series Industrial
2-Way True Union Ball Valves with
J Series Electric Actuators**

24-240 VAC / VDC		
	PVC with EPDM O-Rings	PVC with VITON O-Rings
SIZE	PART #	PART #
1/2"	210-133S20	210-140S20
3/4"	210-134S20	210-141S20
1"	210-135S20	210-142S20
1 1/4"	210-136S20	210-143S20
1-1/2"	210-137S20	210-144S20
2"	210-138S20	210-145S20
2-1/2"	210-528S55	210-531S55
3"	210-529S55	210-532S55
4" *	210-530S55	210-533S55

* 3" valve venturied to 4"

Add 'T' to the end of the part number for threaded ends at an increased price of 5% (up to 3" size only).

Options - Add to the list price	
Option	Part#
4-20 mA Positioner	J-POS420
0-10 Volt Positioner	J-POS010
Electric Failsafe (Battery)	J-BAT
CSA Certification	J-CSA



S4 Series Industrial 3-Way True Union Ball Valves with MT Series Pneumatic Actuators

Double Acting							
PVC with EPDM O-Rings, L-Port		PVC with VITON O-Rings, L-Port		PVC with EPDM O-Rings, T-Port		PVC with VITON O-Rings, T-Port	
SIZE	PART #	PART #		PART #		PART #	
1/2"	BVL-105D	BVL-105DV		BVT-105D		BVT-105DV	
3/4"	BVL-107D	BVL-107DV		BVT-107D		BVT-107DV	
1"	BVL-110D	BVL-110DV		BVT-110D		BVT-110DV	
1-1/4"	BVL-112D	BVL-112DV		BVT-112D		BVT-112DV	
1-1/2"	BVL-115D	BVL-115DV		BVT-115D		BVT-115DV	
2"	BVL-120D	BVL-120DV		BVT-120D		BVT-120DV	

Spring Return							
PVC with EPDM O-Rings, L-Port		PVC with VITON O-Rings, L-Port		PVC with EPDM O-Rings, T-Port		PVC with VITON O-Rings, T-Port	
SIZE	PART #	PART #		PART #		PART #	
1/2"	BVL-105S	BVL-105SV		BVT-105S		BVT-105SV	
3/4"	BVL-107S	BVL-107SV		BVT-107S		BVT-107SV	
1"	BVL-110S	BVL-110SV		BVT-110S		BVT-110SV	
1-1/4"	BVL-112S	BVL-112SV		BVT-112S		BVT-112SV	
1-1/2"	BVL-115S	BVL-115SV		BVT-115S		BVT-115SV	
2"	BVL-120S	BVL-120SV		BVT-120S		BVT-120SV	

Add 'T' to the end of the part number for threaded ends at an increased price of 5%.

Options and Accessories - Add to list price		
Option	Item	Part#
SOLENOID VALVES	4-Way Naumur mount, NEMA 4/4X, 120 Vac	SV-120AC
	4-Way Naumur mount, NEMA 4/4X, 24 Vac	SV-24AC
	4-Way Naumur mount, NEMA 4/4X, 24 Vdc	SV-24DC
LIMIT SWITCH	Mechanical limit switch box - NEMA 4/4X	LSB



**S4 Series Industrial
3-Way True Union Ball Valves with
J Series Electric Actuators**

24-240 VAC / VDC				
PVC with EPDM O-Rings, L-Port		PVC with VITON O-Rings, L-Port	PVC with EPDM O-Rings, T-Port	PVC with VITON O-Rings, T-Port
SIZE	PART #	PART #	PART #	PART #
1/2"	105-3-110-L	105-3-110-LV	105-3-110-T	105-3-110-TV
3/4"	107-3-110-L	107-3-110-LV	107-3-110-T	107-3-110-TV
1"	110-3-110-L	110-3-110-LV	110-3-110-T	110-3-110-TV
1-1/4"	112-3-110-L	112-3-110-LV	112-3-110-T	112-3-110-TV
1-1/2"	115-3-110-L	115-3-110-LV	115-3-110-T	115-3-110-TV
2"	120-3-110-L	120-3-110-LV	120-3-110-T	120-3-110-TV

Add 'T' to the end of the part number for threaded ends at an increased price of 5%.

Options - Add to the list price	
Option	Part#
4-20 mA Positioner	J-POS420
0-10 Volt Positioner	J-POS010
Electric Failsafe (Battery)	J-BAT
CSA Certification	J-CSA

Pneumatic Actuators for 2-Way & 3-Way Ball Valves

Price is for actuator only



MT Series: Great for heavy duty applications. Rack and Pinion design. ISO 5211 dimensions on all sizes. No special blocks are required to mount solenoid valves, limit switches or positioners. All internal and external surfaces are hard anodized for corrosion resistance, with all units permanently lubricated at the factory with non-silicone grease.

Valve Size	Spring Return	Double Acting
1/2"	MT-122	MT-12D
3/4"	MT-122	MT-12D
1"	MT-122	MT-12D
1-1/4"	MT-164	MT-16D
1-1/2"	MT-174	MT-17D
2"	MT-214	MT-21D
2-1/2"	MT-314	MT-31D
3"	MT-364	MT-36D
4"	MT-364	MT-36D

Options and Accessories - Add to list price		
Option	Item	Part#
SOLENOID VALVES	4-Way Naumur mount, NEMA 4/4X, 120 Vac	SV-120AC
	4-Way Naumur mount, NEMA 4/4X, 24 Vac	SV-24AC
	4-Way Naumur mount, NEMA 4/4X, 24 Vdc	SV-24DC
LIMIT SWITCH	Mechanical limit switch box - NEMA 4/4X	LSB

Electric Actuators for 2-Way & 3-Way Ball Valves

Price is for actuator only



J-Series: Rugged weatherproof and anti-corrosive Polyamide housing, the J series offers more user-friendly features, and introduces a highly visible LED status light. It is quick, multi directional and easy to install, with ISO:5211 multi flange mounting and a double square drive, allowing fast mounting to ISO5211 valves. DIN connectors are included.

Standard features include: 4 Auxiliary Limit Switches, Anti-Condensation Heater, and Overload Protection

24-240 VAC / VDC	
Valve Size	Part#
1/2"	J-420S
3/4"	J-420S
1"	J-420S
1-1/4"	J-420S
1-1/2"	J-420S
2"	J-420S
2-1/2"	J-455S
3"	J-455S
4"	J-455S

Options - Add to the list price	
Option	Part#
4-20 mA Positioner	J-POS420
0-10 Volt Positioner	J-POS010
Electric Failsafe (Battery)	J-BAT
CSA Certification	J-CSA



S4 Series Industrial 3-Way Ball Valves with Actuator Mounting Set



SIZE	PVC with PTFE seats, EPDM O-Rings, Socket Ends	
	T-BALL PART #	L-BALL PART #
1/2"	124815	124801
3/4"	124816	124802
1"	124817	124803
1-1/4"	124818	124804
1-1/2"	124819	124805
2"	124820	124806

SIZE	PVC with PTFE seats, Viton O-Rings, Socket Ends	
	T-BALL PART #	L-BALL PART #
1/2"	124822	124808
3/4"	124823	124809
1"	124824	124810
1-1/4"	124825	124811
1-1/2"	124826	124812
2"	124827	124813

- PP & PVDF available upon request



S4 Series Industrial PVC, PP, PVDF Ball Valve Brackets



Note:

1. Brackets will only fit Praher S4 series ball valves only.
2. Can be mounted onto a panel

	3-WAY PVC	3-WAY PP/PVDF	2-WAY CPVC
SIZE	PART #	PART #	PART #
1/2"	-170042	-170511	-170943
3/4"	-170022	-170512	-170944
1"	-170022	-170512	-170945
1-1/4"	-170001	-170513	-170946
1-1/2"	-170001	-170513	-170947
2"	-170018	-170514	-170948



S4 Series Industrial Actuator Mounting Kit for S4 True Union Ball Valves

CONSISTS OF:

- Set of stainless steel hardware
- Actuator mounting base (Namur standard)
- Shaft coupler (Namur standard)
- PVDF valve stem

	PVC/PP/PVDF	CPVC	SQUARE COUPLING DIAGONAL	BOLT CIRCLE ON MOUNTING PAD
SIZE	PART #	PART #		
1/2"	-122103	-126628	11 mm	F04
3/4"	-122083	-126629	11 mm	F04
1"	-122083	-126629	11 mm	F04
1-1/4"	-121985	-126630	14 mm	F05
1-1/2"	-121986	-126631	14 mm	F05
2"	-121986	-126631	14 mm	F05
2-1/2"	-122052		17 mm	F07
3"	-122065		17 mm	F07
4"	-122065		17 mm	F07

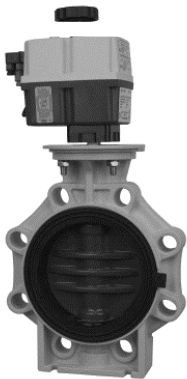


**K4 Series Industrial
Butterfly Valves with
MT Series Pneumatic Actuators**

Double Acting			
PVC with EPDM Seat		PVC with VITON Seat	
SIZE	PART #	PART #	
3"	BF-130D	BF-130DV	
4"	BF-140D	BF-140DV	
6"	BF-160D	BF-160DV	
8"	BF-180D	BF-180DV	

Spring Return			
Specify whether fail open or fail closed			
PVC with EPDM Seat		PVC with VITON Seat	
PART #		PART #	
BF-130S		BF-130SV	
BF-140S		BF-140SV	
BF-160S		BF-160SV	
BF-180S		BF-180SV	

Options and Accessories - Add to list price		
Option	Item	Part#
SOLENOID VALVES	4-Way Naumur mount, NEMA 4/4X, 120 Vac	SV-120AC
	4-Way Naumur mount, NEMA 4/4X, 24 Vac	SV-24AC
	4-Way Naumur mount, NEMA 4/4X, 24 Vdc	SV-24DC
LIMIT SWITCH	Mechanical limit sw itch box - NEMA 4/4X	LSB



**K4 Series Industrial
Butterfly Valves with
J Series Electric Actuators**

24-240 VAC / VDC			
PVC with EPDM Seat		PVC with VITON Seat	
SIZE	PART #	PART #	
3"	BF-1355H	BF-1355HV	
4"	BF-1455H	BF-1455HV	
6"	BF-1614H	BF-1614HV	
8"	BF-1830H	BF-1830HV	

Options and Accessories	
Add to the price of the actuator	
Option	Part#
4-20 mA Positioner	J-POS420
0-10 Volt Positioner	J-POS010
Electric Failsafe (Battery)	J-BAT
CSA Certification	J-CSA

Pneumatic Actuators for Butterfly Valves

Price is for actuator only

MT Series: Great for heavy duty applications. Rack and Pinion design. ISO 5211 dimensions on all sizes. No special blocks are required to mount solenoid valves, limit switches or positioners. All internal and external surfaces are hard anodized for corrosion resistance, with all units permanently lubricated at the factory with non-silicone grease.

Valve Size	Spring Return Model	Double Acting Model
3"	MT-364	MT-36D
4"	MT-364	MT-36D
6"	MT-464	MT-46D
8"	MT-514	MT-51D



Options and Accessories - Add to list price		
Option	Item	Part#
SOLENOID VALVES	4-Way Naumur mount, NEMA 4/4X, 120 Vac	SV-120AC
	4-Way Naumur mount, NEMA 4/4X, 24 Vac	SV-24AC
	4-Way Naumur mount, NEMA 4/4X, 24 Vdc	SV-24DC
LIMIT SWITCH	Mechanical limit switch box - NEMA 4/4X	LSB

Electric Actuators for Butterfly Valves

Price is for actuator only

J-Series: Rugged weatherproof and anti-corrosive Polyamide housing, the J series offers more user-friendly features, and introduces a highly visible LED status light. It is quick, multi directional and easy to install, with ISO:5211 multi flange mounting and a double square drive, allowing fast mounting to ISO5211 valves. DIN connectors are included.

Standard features include: 4 Auxiliary Limit Switches, Anti-Condensation Heater, and Overload Protection



		Options and Accessories	
		Add to the price of the actuator	
	24-240 VAC / VDC		
Valve Size	Part#	Option	Part#
3"	J-455S	4-20 mA Positioner	J-POS420
4"	J-455S	0-10 Volt Positioner	J-POS010
6"	J-4140S	Electric Failsafe (Battery)	J-BAT
8"	J-4300S	CSA Certification	J-CSA

24 VAC Multi-Position Aquastar C/W Multiport valve



NOTE: Controls such as pressure switch, timers, relays, on & off switches for controlling Aquastar actuator are not included and must be provided by your own PLC system.

For clean water use only. Not to be used in a high humidity environment or direct sunlight

FEATURES:

- 24 VAC (max. 0.5 Amp.) 6 position valve actuator.
- With or without manual override (override only available on 1.5" and 2").
- Controls and power supply to be supplied by others.
- Very economical and the most universal automated valve actuator on the market.
- Internal pump limit switch will disrupt pump during actuator's positioning mode.
- ISO 9001 facility.
- Also available in 1 1/2"-2" top mount models (TM)
- MP = PROGRAMMABLE LOGIC CONTROL



APPLICATIONS:

- On all existing and new sand filters with automatic backwash requirements that can provide pressure monitoring or timing and are able to provide control signal to MP-Aquastar actuator.

Model #	Valve	Description
AMP-SM30AOB	3"	24 VAC Multi-position SM-30-AO 6 pos
131386	1 1/2" - 2"	Actuator w ithout valve - 24 VAC
131387	3"	Actuator w ithout valve - 24 VAC

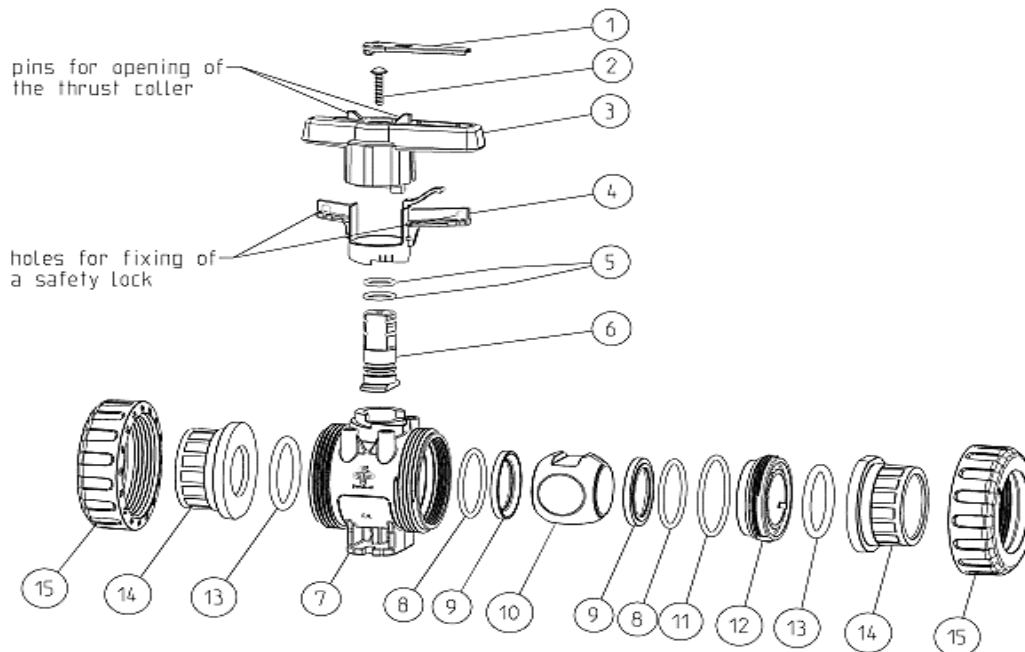
Aquastar Control

FEATURES:

- Time and pressure backwash cycle release
- Adjustable pressure sensor switch (adjusted with dip switches on circuit board) (5.8 PSI – 83 PSI)
- Basic Timer with three basic settings on dip switch (3 days, 1 week, 2 week backwash interval settings)
- Digital time clock for flexible time controlled backwash release cycles (up to 25 release times)
- Option of external backwash cycle release included
- RECIRCULATION (Filter BY PASS Actuator Position) actuator-valve position for filter maintenance standard
- DRAIN position for lowering water level or service
- Integrated pump control (interlock) relay contacts
- Adjustable backwash timers (potentiometers) 50 sec - 90 min
- Adjustable rinse timers (potentiometers) 25-200 seconds
- Adjustable backwash cycle delay timer 20 sec- 23 min—with integrated relay contact for heater or chemical feeder control
- Auxiliary relay control-contacts for secondary valve control. i.e. city water backwash
- Power control terminal for external back wash cycle start release from other control sources
- Watertight-chemical resistant touch pad control

Model #	Description
131494	Actuator for 3" valve - 24V AC/DC
131495	Actuator for 3" valve - 24V AC/DC or 110-240VAC or 170-300 VDC

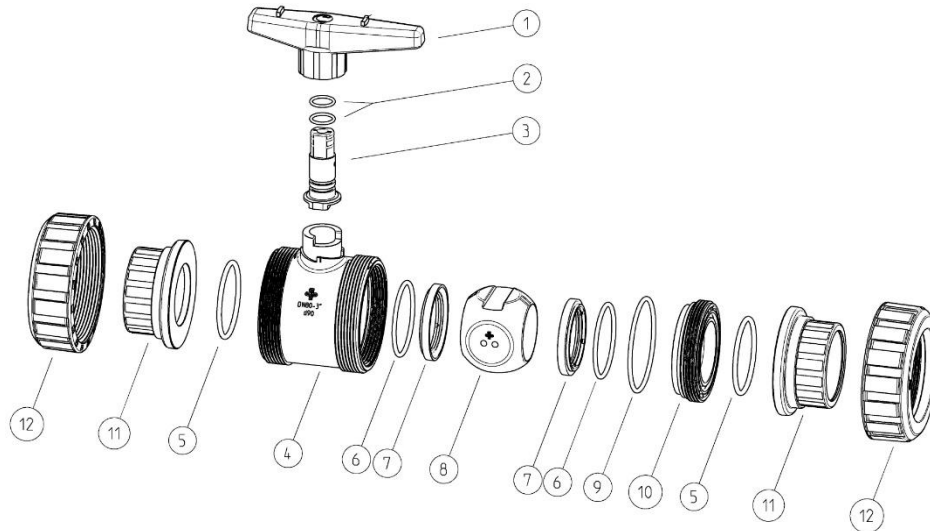
Parts – M1 PVC True Union Ball Valves



	#1-4 HANDLE KIT	#5 & 6 - STEM WITH EPDM O-RING	#5 & 6 - STEM WITH VITON O-RING	#7 - BODY	#8A - SEAT CUSHION (EPDM)	#8B - SEAT CUSHION (VITON)	#9 - TEFLON SEAT
SIZE	PART #	PART #	PART #	PART #	PART #	PART #	PART #
1/2"	124686	142652		102205	E19X2	V19X2	51370
3/4"	124687	142653		102206	E25X2	V25X2	51371
1"	124688	142653		102207	E30X2	V30X2	51372
1-1/4"	124689	142654		102208	E126	V126	51373
1-1/2"	124690			102196	E135	V135	51357
2"	124691			102209	E58X3	V58X3	51374
2-1/2"	124692			102333	E78X3	V78X3	
3"	124693			102340	E94X3	V94X3	
4"	124693			102346	E94X3	V94X3	

	#10 - BALL (PVC)	#11 - CARRIER O-RING	#12 - CARRIER (RETAINING RING)	#13A - FACE O-RING (EPDM)	#14A - SOCKET END	#14B - THREADED END	#15 - NUT
SIZE	PART #	PART #	PART #	PART #	PART #	PART #	PART #
1/2"	101933	E26X3	102210	E20X3	TU05010	TU05011	102215
3/4"	101934	E33X3	102211	E20X3	TU07510	TU07511	102216
1"	101935	E38X3	102212	E215	TU10010	TU11011	102217
1-1/4"	101936	E50X3	102213	E218	TU12510	TU12511	102218
1-1/2"	101517A	E142	102197	E223	TU15010	TU15011	102195
2"	101518B	E233	102214	N328	TU20010	TU20011	102219
2-1/2"	101992	E98X4	102337	E75X6	TU25010	TU25011	102336
3"	102063	E124X5.7		E90X6	TU30010	TU30011	102341
4"			E347	TU40010	TU40011		

Parts – S6 PVC True Union Ball Valves (Econo)

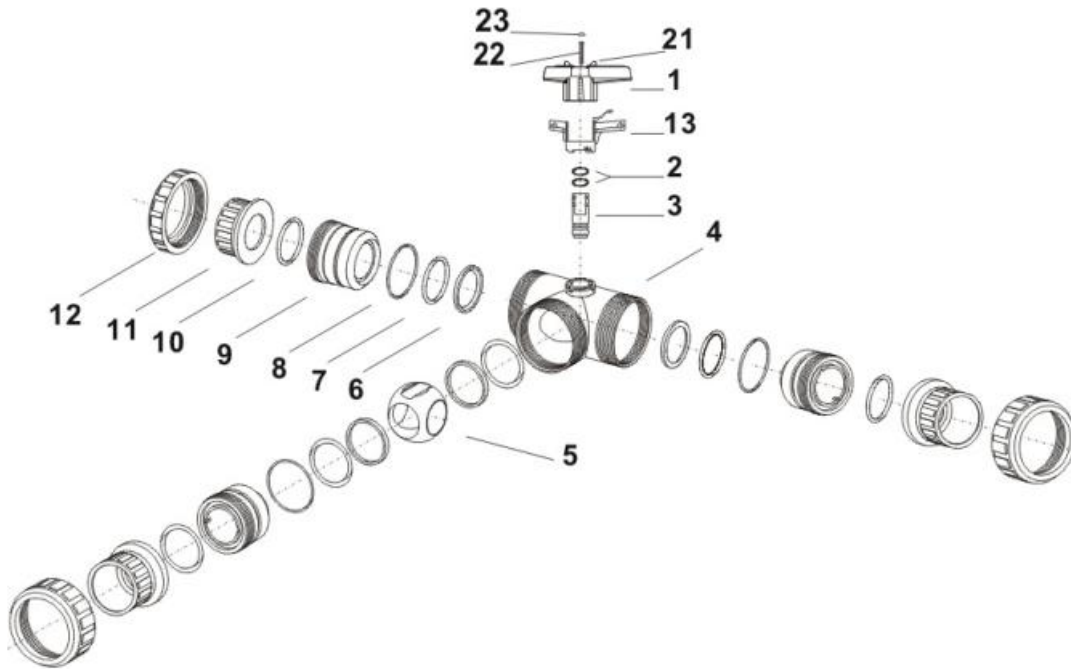


	#1 - HANDLE (RED)	#2 & 3 - STEM WITH EPDM O-RINGS	#4 - BODY	#5 - FACE O-RING (EPDM)	#7 - TEFLON BALL SEAT	#8 - BALL
SIZE	PART #	PART #	PART #	PART #	PART #	PART #
1/2"	100593A	140163A	101929	E22X3	50940	101933
3/4"	100594B	140610A	101930	E216	50941	101934
1"	100805A	140610A	101931	E218	50942	101935
1-1/4"	100595B	140618A	101932	E40X3.5	50943	101936
1-1/2"	100583B		101515A	N328	50736	101517A
2"	101169B		101516	E331	50737	101518
2-1/2"	100076A		142483	E75X6	51161	101922
3"	102068A		142357	E90X6	51188	102063

	#9 - CARRIER O-RING (EPDM)	#10 - CARRIER (RETAINER RING)	#11A - UNION SOCKET END	#11B - UNION THREADED END	#12 - NUT
SIZE	PART #	PART #	PART #	PART #	PART #
1/2"	E28X3	101937	TU05010	TU05011	101941
3/4"	E33X3	101938	TU07510	TU07511	101942
1"	E38X3	101939	TU10010	TU11011	101943
1-1/4"	E48X3	101940	TU12510	TU12511	101944
1-1/2"	E228	101513A	TU15010	TU15011	101519
2"	E232	101514	TU20010	TU20011	101520
2-1/2"	E90X4	101993	TU30010	TU30011	101995
3"	E349	102064	TU40010	TU40011	102066

For Viton O-Rings, please add 20% to your net price and please change the letter 'E' to letter 'V'

Parts – S4 PVC 3-Way True Union Ball Valves

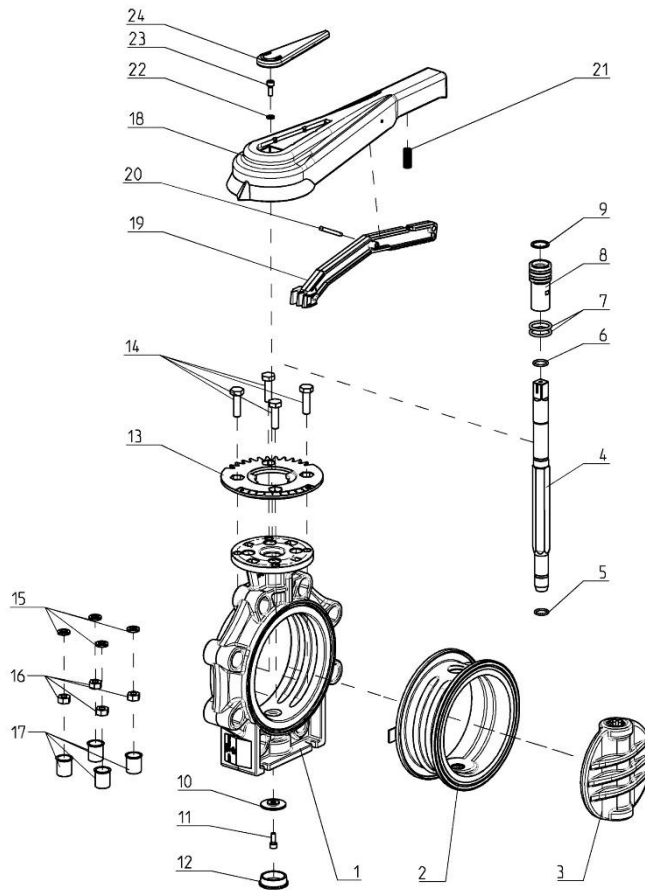


	#1A L-HANDLE	#1B T-HANDLE	#2 & 3 - STEM WITH EPDM O-RINGS	#2 & 3 - STEM WITH VITON O-RINGS	#4 - BODY	#5A L-BALL	#5B T-BALL	#6 - TEFLON BALL SEAT
SIZE	PART #	PART #	PART #	PART #	PART #	PART #	PART #	PART #
1/2"	141242	141241	140163A		141256	141258	141257	50387
3/4"	141235	141236	140610A		140528	140540	140529	50065
1"	141235	141236	140610A		140528	140540	140529	50065
1-1/4"	141237	141238	140618A		141180	141175	141174	50048
1-1/2"	141237	141238	140422A		141180	141175	141174	50048
2"	141239	141240	140422A		141181	141177	141176	50049

	#7A - SEAT CUSHION (EPDM)	#7B - SEAT CUSHION (VITON)	#8A - CARRIER O-RING (EPDM)	#8B - CARRIER O-RING (VITON)	#9 - RETAINER RING	#10A - FACE O-RING (EPDM)	#10B - FACE O-RING (VITON)	#11 - UNION SOCKET END
SIZE	PART #	PART #	PART #	PART #	PART #	PART #	PART #	PART #
1/2"	E008	V008	E26X3	V26X3	101059	E26X3	V26X3	TU05010
3/4"	E024	V024	E38X3	V38X3	100861	E32X3.5	V32X3.5	TU07510
1"	E024	V024	E38X3	V38X3	100861	E218	V218	TU10010
1-1/4"	E40X2.5	V40X2.5	E356	V356	101300	E319	V319	TU12510
1-1/2"	E129	V129	E228	V228	101300	N328	V328	TU15010
2"	E135	V135	E231	V231	101301	E331	V331	TU20010

	#11 - UNION THREADED END	#12 - NUT
SIZE	PART #	PART #
1/2"	TU05011	100454
3/4"	TU07511	100455
1"	TU10011	100456
1-1/4"	TU12511	100457
1-1/2"	TU15011	100423A
2"	TU20011	100499A

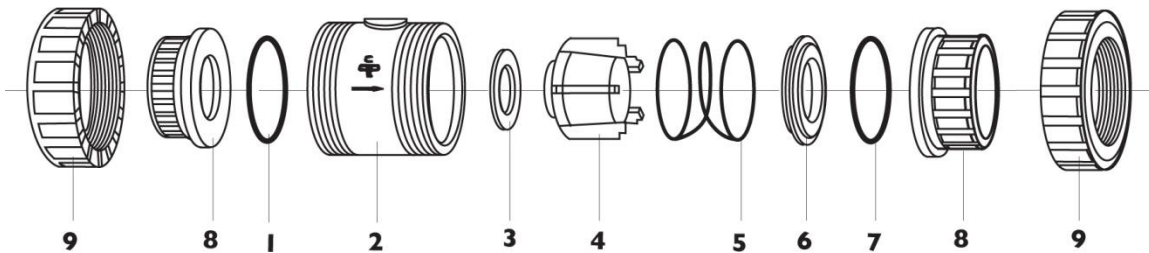
Parts – K4 Butterfly Valves with lever handle



	#2, 3, 5, 6, 7, 9 - EPDM SEAT & O-RINGS WITH PVC DISC SET	#2, 3, 5, 6, 7, 9 - VITON SEAT & O-RINGS WITH PVC DISC SET	#2, 3, 5, 6, 7, 9 - EPDM SEAT & O-RINGS WITH PP DISC SET	#2, 3, 5, 6, 7, 9 - VITON SEAT & O-RINGS WITH PP DISC SET
SIZE	PART #	PART #	PART #	PART #
2-1/2"	141786	141791	141796	141801
3"	141787	141792	141797	141802
4"	141788	141793	141798	141803
6"	141789	141794	141799	141804
8"	141790	141795	141800	141805

	#2, 3, 5, 6, 7, 9 - VITON SEAT & O-RINGS WITH PVDF DISC SET	#13 - POSITION LOCK PLATE	#18 - 24 HANDLE ASSEMBLY
SIZE	PART #	PART #	PART #
2-1/2"	141806	101700B	142790
3"	141807	101700B	142790
4"	141808	101700B	142791
6"	141809	101701	142792
8"	141810	101701	142792

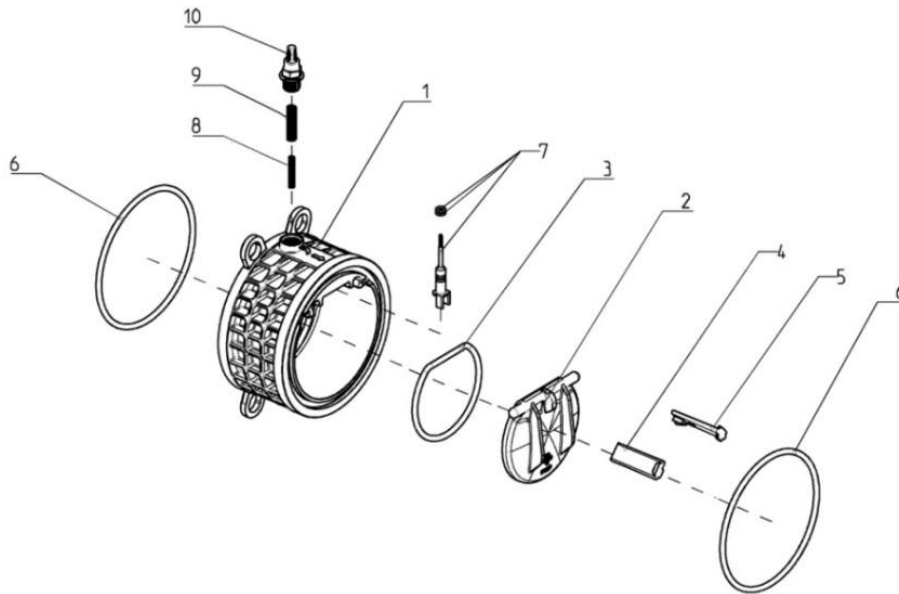
Parts – S4 PVC Double Union Spring Check Valves



	#1 - FACE O-RING	#2 - BODY	#3 - GASKET	#4 - CONE	#5 - SS SPRING	#5A - TEFLON ENCAPSULATED SS SPRING
SIZE	PART #	PART #	PART #	PART #	PART #	PART #
1/2"	E20X3	3-050-2	3-050-3	3-050-4	3-050-5	140451
3/4"	E215	3-075-2	3-075-3	3-075-4	3-075-5	140452
1"	E218	3-100-2	3-100-3	3-100-4	3-100-5	140453
1-1/4"	E223	3-125-2	3-125-3	3-125-4	3-125-5	140454
1-1/2"	E328	3-150-2	3-150-3	3-150-4	3-150-5	140455
2"	E331	3-200-2	3-200-3	3-200-4	3-200-5	140456
2-1/2"	E75X6	3-250-2	3-250-3	3-250-4	3-250-5	140457
3"	E90X6	3-300-2	3-300-3	3-300-4	3-300-5	140458

	#5B - HASTELLOY SPRING	#6 - RETAINER RING	#7 - O-RING	#8 - UNION SOCKET END	#8 - UNION THREADED END	#9 - NUT
SIZE	PART #	PART #	PART #	PART #	PART #	PART #
1/2"	3-050-5H	3-050-6	E217	TU05010	TU05011	TU05012
3/4"	3-075-5H	3-075-6	E220	TU07510	TU07511	TU07512
1"	3-100-5H	3-100-6	E223	TU10010	TU10011	TU10012
1-1/4"	3-125-5H	3-125-6	E226	TU12510	TU12511	TU12512
1-1/2"	3-150-5H	3-150-6	E332	TU15010	TU15011	TU15012
2"	3-200-5H	3-200-6	E337	TU20010	TU20011	TU20012
2-1/2"	3-250-5H	3-250-6	E125X6	TU25010	TU25011	TU25012
3"	3-300-5H	3-300-6	E128X6	TU30010	TU30011	TU30012

Parts – K4 Swing Check Valve with Spring



	#1 - BODY (PVC)	#2 - FLAPPER (PVC)	#3 - FLAPPER EPDM O-RING	#3 - FLAPPER VITON O-RING	#4 & 5 - FLAPPER WITH EPDM O-RING & LEFT & RIGHT POST	#4 & 5 - FLAPPER WITH VITON O-RING & LEFT & RIGHT POST
SIZE	PART #	PART #	PART #	PART #	PART #	PART #
3"	141707	141708	330-EP60	330-VP60	141752	141749
4"	141713	141714	337-EP60	337-VP60	141752	141749
6"	141719	141720	425-EP60	425-VP60	141753	141750
8"	141731	141726	438-EP60	438-VP60	141753	141750
10"	141737	141732	50859	50869	141754	141751

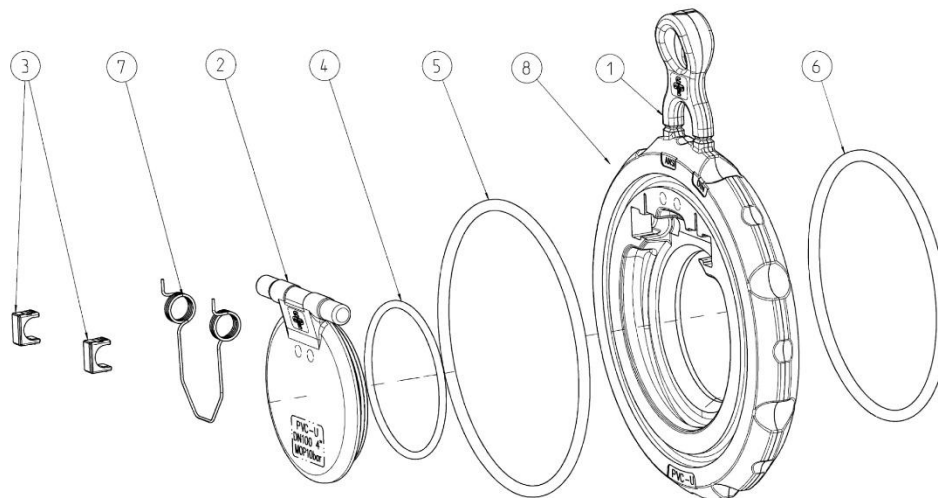
	#6 - EPDM BODY O-RING (2 REQUIRED)	#6 - VITON BODY O-RING (2 REQUIRED)
SIZE	PART #	PART #
3"	Q-346EP60	Q-346VP60
4"	Q-354EP60	Q-354VP60
6"	Q-441EP60	Q-441VP60
8"	Q-233X7EP60	Q-233X7VP60
10"	Q-291X7EP60	Q-291X7VP60

	#7 -10 - INDICATOR PIN WITH EPDM O-RING, SMALL & LARGE SPRINGS, INDICATOR COVER	#7 -10 - INDICATOR PIN WITH VITON O-RING, SMALL & LARGE SPRINGS, INDICATOR COVER
SIZE	PART #	PART #
3"	142423	142422
4"	142423	142422
6"	141747	141744
8"	141747	141744
10"	141748	141745

Parts – K6 PVC Wafer Check Valve

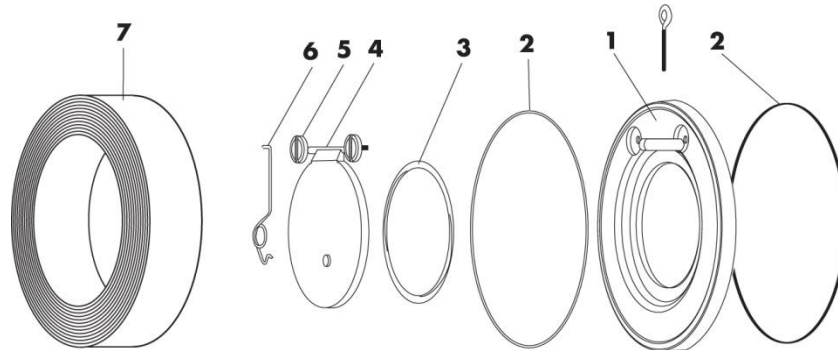
Parts List/Diagram

1. Body
2. Flapper
3. Flapper clip
4. Flapper O-Ring
5. Body O-Ring, front
6. Body O-Ring, back
7. SS Spring
8. Label



	#2 & 3 - EPDM O-RING FLAPPER KIT (FLAPPER + FLAPPER CLIPS)	#2 & 3 - VITON O-RING FLAPPER KIT (FLAPPER + FLAPPER CLIPS)	#4, 5 & 6 EPDM O-RING KIT	#4, 5 & 6 VITON O-RING KIT	#7 & 8 - STAINLESS STEEL SPRING KIT (SS SPRING + LABEL)
SIZE	PART #	PART #	PART #	PART #	PART #
1-1/2"	142306A	142488	142282	142290	142298
2"	142307A	142489	142283	142291	142299
2-1/2"	142308A	142490	142284	142292	142300
3"	142309A	142491	142285	142293	142301
4"	142310A	142492	142286	142294	142302
5"	142311A	142493	142287	142295	142303
6"	142312A	142494	142288	142296	142304
8"	142313A	142495	142289	142297	142305
10"	142487A	142496	142564	142563	142565
12"	142434A	142497	142435	142436	142433
14"	142671	142672			

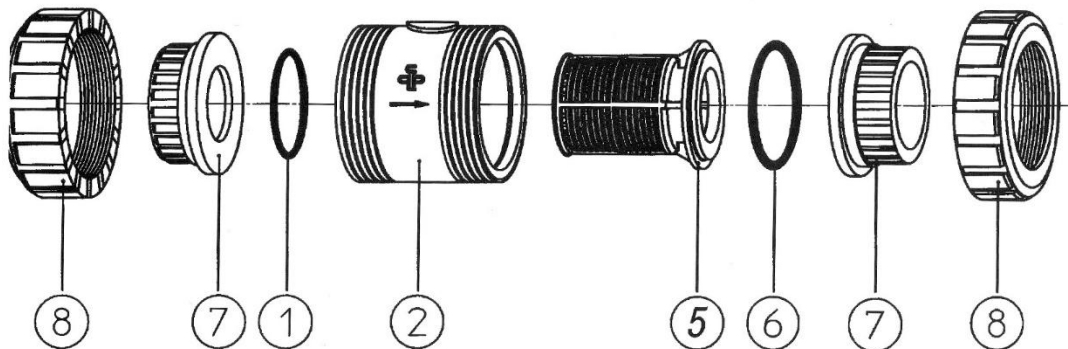
Parts – S4 PVC/PP/PVDF Wafer Check Valves



	#1 - BODY PVC	#1 - BODY PP	#1 - BODY PVDF	#2 - BODY O- RING (EPDM)	#2 - BODY O- RING (VITON)	#2 - BODY O-RING (VITONTEFLON)
SIZE	PART #	PART #	PART #	PART #	PART #	PART #
2"		461-20-1	462-20-1	E235	V235	VT235
2-1/2"		461-25-1	462-25-1	E241	V241	VT241
3"		461-30-1	462-30-1	E245	V245	VT245
4"		461-40-1	462-40-1	E254	V254	VT254
6"		461-60-1	462-60-1	E264	V264	VT264
8"		461-80-1	462-80-1	E273	V273	VT273
10"	460-100-1	461-100-1	462-100-1	E278	V278	VT278
12"	460-120-1	461-120-1	462-120-1	E280	V280	VT280
14"	460-140-1			E385	V385	
16"	460-160-1			E450X5.7	V450X5.7	

	#3 - DISC O- RING (EPDM)	#3 - DISC O- RING (VITON)	#3 - DISC O-RING (VITONTEFLON)	#4 - DISC (FLAPPER) PVC	#4 - DISC (FLAPPER) PP	#5 -SCREW - PP (2 PIECES REQUIRED)	#6 - SPRING SS
SIZE	PART #	PART #	PART #	PART #	PART #	PART #	PART #
2"	E220	V220	VT220		461-20-4	461-20-5	460-20-6
2-1/2"	E327	V327	VT327		461-25-4	461-25-5	460-25-6
3"	E331	V331	VT331		461-30-4	461-30-5	460-30-6
4"	E336	V336	VT336		461-40-4	461-40-5	460-40-6
6"	E425	V425	VT425		461-60-4	461-60-5	460-60-6
8"	E437	V437	VT437		461-80-4	461-80-5	460-80-6
10"	E195X8	V195X8	VT195X8	460-100-4	461-100-4	461-100-5	460-100-6
12"	E230X8	V230X8	VT230X8	460-120-4	461-120-4	461-120-5	460-120-6
14"	E270X8	V270X8		460-140-4		461-140-5	460-140-6
16"	E310X8	V310X8		460-160-4		461-160-5	460-160-6

**Parts –
S4 PVC Inline Strainer (1800 Micron)**



	#1 - BODY O-RING	#2 - BODY	#5 - 1800 MICRON PP SCREEN CAGE	#6 - O-RING FOR CAGE	#7 - SOCKET END	#8 - NUT
SIZE	PART #	PART #	PART #	PART #	PART #	PART #
1/2"	E20X3	100475	100276	E216	TU05010	100454
3/4"	E26X3.5	100476	100277	E35X3.5	TU07510	100455
1"	E32X3.5	100477	100325	E40X3.5	TU10010	100456
1-1/4"	E40X3.5	100478	100326	E52X3.5	TU12510	100457
1-1/2"	N328		100518	E332	TU15010	100423
2"	E331		100521	E337	TU20010	100499
2-1/2"	E75X6	140971	100483	E100X6	TU25010	100550
3"	E90X6	140972	100491	E130X6	TU30010	100288
4"	E108X6		100491	E130X6	TU40010	140688

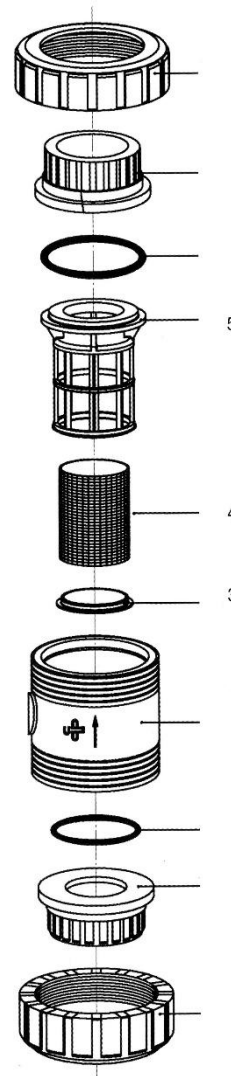
Parts – S4 PVC Inline Strainer w/ SS Mesh (1000 750, 500, 250 Micron)

#3 + #5 - BASKET & RETAINING RING KIT	
SIZE	PART #
1/2"	141474
3/4"	141475
1"	141476
1-1/4"	141477
1-1/2"	141478
2"	141479
2-1/2"	141480
3"	141481
4"	141481

SIZE	#4.1 - 1000 SS MICRON SCREEN	#4.2 - 750 SS MICRON SCREEN
	PART #	PART #
1/2"	50622	50614
3/4"	50624	50616
1"	50624	50616
1-1/4"	50625	50617
1-1/2"	50626	50618
2"	50627	50619
2-1/2"	50628	50620
3"	50629	50621
4"	50629	50621

SIZE	#4.3 - 500 SS MICRON SCREEN	#4.4 - 250 SS MICRON SCREEN
	PART #	PART #
1/2"	50606	250SS050
3/4"	50608	250SS751
1"	50608	250SS751
1-1/4"	50609	250SS125
1-1/2"	50610	250SS150
2"	50611	
2-1/2"	50612	
3"	50613	
4"	50613	

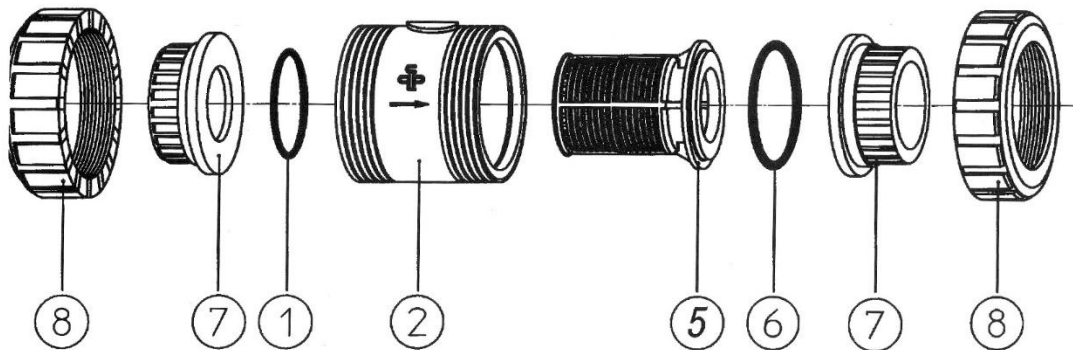
#4.4 - 104 SS MICRON SCREEN	
SIZE	PART #
1/2"	104SS050



Note:

1800 Micron = 11 MESH (Coarse)
 1000 Micron = 18 MESH (Medium)
 750 Micron = 24 MESH (Medium)
 500 Micron = 35 MESH (Fine)
 250 Micron = 60 MESH (Fine)
 104 Micron = 140 MESH (Fine)

**Parts –
CR4 Inline Strainer (690 Micron)**

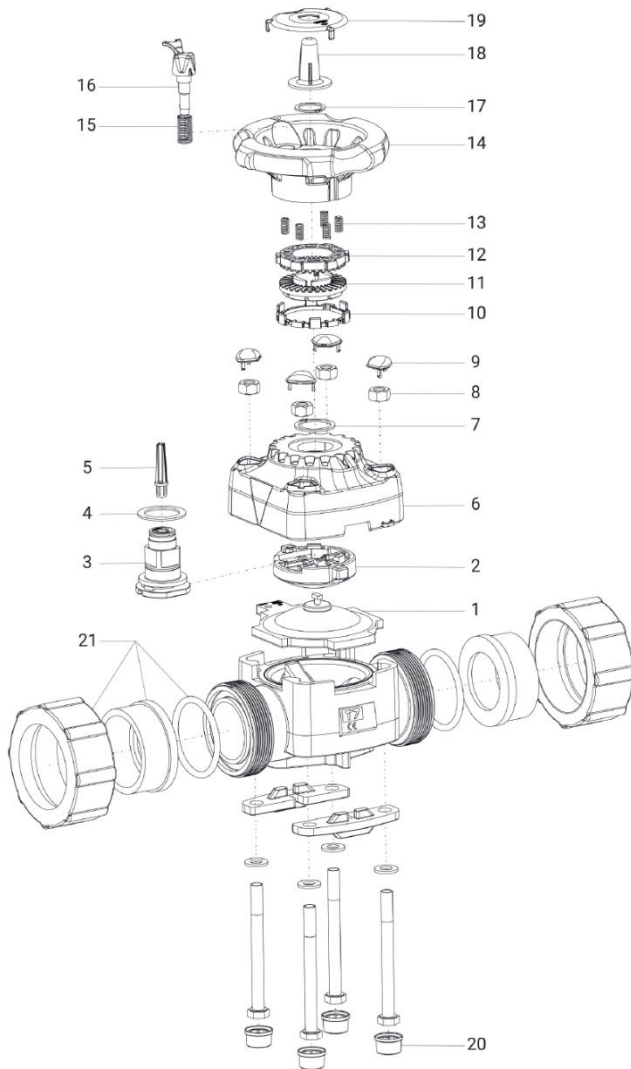


Note:

	#1 - BODY O-RING	#2 - PVC BODY	#5 - 690 PVC MICRON SCREEN	#6 - O-RING for CAGE	#7A - SOCKET END	#7B - THREADED END	#8 - NUT
SIZE	PART #	PART #	PART #	PART #	PART #	PART #	PART #
3/8"	E32X3.5	100477	690-CR4110	E39.7X3.5	10097438	10097438T	100456
1/2"	E32X3.5	100477	690-CR4110	E39.7X3.5	10097405	10097405T	100456
3/4"	E32X3.5	100477	690-CR4110	E39.7X3.5	10097475	10097475T	100456
1"	E32X3.5	100477	690-CR4110	E39.7X3.5	100974	TU10011	100456
1-1/4"	E331	100480	690-CR4220	E337	10056125	10056125T	100499A
1-1/2"	E331	100480	690-CR4220	E337	10056115	10056115T	100499A
2"	E331	100480	690-CR4220	E337	100561	TU20011	100499A

1/2" & 3/4" strainers are 1-inch bodies with reducing sockets.
1-1/4" & 1-1/2" strainers are 2-inch bodies with reducing sockets.

**Parts –
T7 Diaphragm Valve**



Diaphragm Gaskets	EPDM	VITON	Teflon (EPDM Bonded)
SIZE	PART #	PART #	PART #
1/2"	51567	51568	51566
3/4"	51567	51568	51566
1"	51572	51573	51571
1-1/4"	51538	51539	51537
1-1/2"	51538	51539	51537
2"	51529	51532	51528

NOTES



TERMS AND CONDITIONS OF SALE

PRICES:

All prices shown are list prices, effective January 1, 2025 and are subject to change without notice. These prices do not constitute an offer to sell. All are based on standard packaging and do not include special overseas packaging or other requirements.

PLACING ORDERS:

To expedite handling of your order please use the combination of part number, size and brief description. Our minimum order is \$300.00 net. 15% surcharge on "less than qty." per carton orders. Praher reserves the right to cancel any back order that is less than 10% of the original order.

SHIPPING:

All shipments are F.O.B shipping point. The term F.O.B. shipping point means the carrier accepts all responsibility upon accepting the shipment at our dock. Therefore, any claims for damage or loss must be settled between you and the carrier.

OVER / UNDER SHIPPED QUANTITY:

Seller reserves the right to over-ship order quantity herein by 10% and under-ship order quantity herein by 5% or as otherwise negotiated between seller and buyer.

DELIVERY TIMES DELAYS:

The estimated shipping date is based on plant production schedule at the date of the quotation. Seller shall use reasonable commercial efforts to deliver the goods within the time agreed but, unless otherwise specifically agreed to in writing, shall in no circumstance be liable for any loss or damage, consequential or otherwise, caused directly or indirectly, by any delay in delivery. Under no circumstances will the Seller be liable for delay or failure in performance due to fires, floods, strikes or others differences with workmen, accidents, labour or material or transportation shortages, war (declared or undeclared), acts of terrorism, riot, governmental orders or regulations, legal interferences or prohibitions, defaults on the part of suppliers, or other causes beyond the Seller's reasonable control.

BILLING TERMS:

Prior credit approval and non-delinquent status are necessary before shipping on an open account. Our open account terms are net 30 days. A 2% per month (24% per annum) charge is made on accounts exceeding 30 days. All taxes required by law are computed and added to your invoice.

EXPORT SHIPPING:

PRAHER will be happy to handle your export order. The terms are a letter of credit drawn on a Canadian bank. Our prices into the U.S. include freight allowance-shipping ground, with duty and brokerage fees prepaid.

CLAIMS AND RETURNS:

Claims for shortages or inaccurate filling of orders must be made to PRAHER within 10 days after receipt of goods. Praher will not reimburse returned product with cash or cheques. Credits will be issued and a 15% restock charge may apply.

INFORMATION TO BUYER:

PRAHER will endeavor to furnish such advice as it may be able to supply with reference to the use by buyer of any materials purchased, but PRAHER makes no guarantees and assumes no obligation or liability for the advice given verbally or in the use of any material, whether used simply or in combination with other products. No suggestion for product use shall be construed as a recommendation for its use in infringement on any existing patent.

PRODUCT WARRANTY:

All products not manufactured by PRAHER carrying the original manufacturer's warranty. All products manufactured by PRAHER will be free of defects in material and workmanship for a period of one year from shipment from PRAHER. If found to be defective by us, we will repair, or replace the non-conforming parts or goods at our option, or return the purchase price at our option. Praher shall not be responsible for cartage, removal and/or reinstallation labor, or any such costs incurred in obtaining a warranty replacement. The product warranty expressed above is our only warranty and may not be verbally changed or modified by any representative of PRAHER. The offer to repair or replace non-conforming goods within warranty does not cover defects caused by shipping damages, damages caused by improper use or installation, or by the buyer's attempts to use the products beyond their mechanical, thermal or electrical capacity.